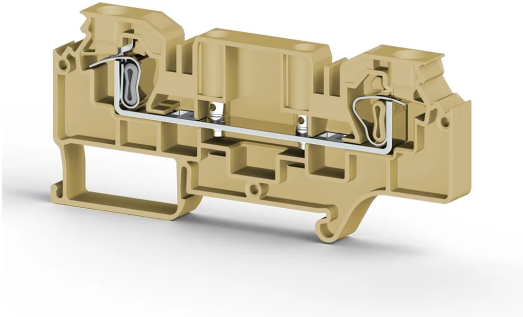


КЛЕММНЫЕ БЛОКИ > ПРУЖИННЫЕ КЛЕММНЫЕ БЛОКИ > ТЕСТОВЫЕ  
РАЗМЫКАЕМЫЕ КЛЕММЫ



## WGO D5 Бежевый

Артикул (SKU): 376200

Винтовая клемма, 6 мм<sup>2</sup> для теста и размыкания

### Коммерческая информация

|                                  |                     |
|----------------------------------|---------------------|
| Код продажи продукта             | <b>376200</b>       |
| Единица Упаковки                 | <b>40 шт.</b>       |
| Номер таможенного тарифа         | <b>853690950000</b> |
| Вес за единицу, включая упаковку | <b>0.024 kg.</b>    |

### Техническая информация

| PRODUCT FEATURES                      |                      |
|---------------------------------------|----------------------|
| Number of Connections                 | <b>2</b>             |
| Color                                 | <b>Beige</b>         |
| Number of Levels                      | <b>1</b>             |
| Insulation Material                   | <b>PA</b>            |
| UL 94 Flammability Class              | <b>V2</b>            |
| Impulse Voltage Category              | <b>III</b>           |
| Insulation Material Group             | <b>I</b>             |
| Pollution Degree                      | <b>3</b>             |
| Connection According to Standard      | <b>IEC 60947-7-1</b> |
| Continuous Operating Temperature max. | <b>120 °C</b>        |
| Continuous Operating Temperature min. | <b>-55 °C</b>        |
| ELECTRICAL FEATURES                   |                      |
| Nominal Impulse Voltage               | <b>6 Kv</b>          |

|                      |              |
|----------------------|--------------|
| Nominal Current      | <b>41 A</b>  |
| Nominal Voltage      | <b>500 V</b> |
| Maximum Load Current | <b>57 A</b>  |

## CONNECTION DATA

|  |                            |
|--|----------------------------|
| Connection Type  | <b>Spring Connection</b>   |
| Single-core min. conductor cross-section   | <b>0,2 mm<sup>2</sup></b>  |
| Single-core max. conductor cross-section   | <b>10 mm<sup>2</sup></b>   |
| Conductor Cross Section Awgkcmil Min   | <b>24 AWG</b>              |
| Conductor Cross Section Awgkcmil Max   | <b>8 AWG</b>               |
| Multi-core min. conductor cross-section  | <b>0,2 mm<sup>2</sup></b>  |
| Multi-core max. conductor cross-section  | <b>6 mm<sup>2</sup></b>    |
| Multi-core min. conductor cross-section with ferrule                               | <b>0,25 mm<sup>2</sup></b> |
| Multi-core max. conductor cross-section with ferrule                               | <b>6 mm<sup>2</sup></b>    |
| Min. Stripping Length  | <b>10 mm</b>               |
| Max. Stripping Length  | <b>12 mm</b>               |
| Internal cylindrical indicator   | <b>A5</b>                  |
| 2 Conductors Of The Same Cross Section Multi Core Twin Ferrule With Plastic Sleeve | <b>1,5 mm<sup>2</sup></b>  |

## DIMENSIONS

|                 |                 |
|-----------------|-----------------|
| Width           | <b>8 mm</b>     |
| Length          | <b>95,35 mm</b> |
| Height Mr 35X75 | <b>43,00 mm</b> |
| Height MR 35x15 | <b>50,50 mm</b> |