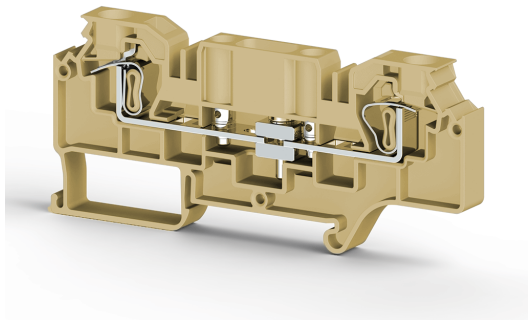


КЛЕММНЫЕ БЛОКИ > ПРУЖИННЫЕ КЛЕММНЫЕ БЛОКИ > ТЕСТОВЫЕ
РАЗМЫКАЕМЫЕ КЛЕММЫ



WGO 5 Бежевый

Артикул (SKU): 376100

6 мм² клемма Sage Clamp для теста и размыкания

Коммерческая информация

Код продажи продукта	376100
Единица Упаковки	40 шт.
Номер таможенного тарифа	853690950000
Вес за единицу, включая упаковку	0.024 kg.

Техническая информация

PRODUCT FEATURES	
Number of Connections	2
Color	Beige
Number of Levels	1
Insulation Material	PA
UL 94 Flammability Class	V2
Impulse Voltage Category	III
Insulation Material Group	I
Pollution Degree	3
Connection According to Standard	IEC 60947-7-1
Continuous Operating Temperature max.	120 °C
Continuous Operating Temperature min.	-55 °C
ELECTRICAL FEATURES	
Nominal Impulse Voltage	6 Kv

Nominal Current	41 A
Nominal Voltage	500 V
Maximum Load Current	57 A

CONNECTION DATA

Connection Type	Spring Connection
Single-core min. conductor cross-section	0,2 mm²
Single-core max. conductor cross-section	10 mm²
Conductor Cross Section Awgkcmil Min	24 AWG
Conductor Cross Section Awgkcmil Max	8 AWG
Multi-core min. conductor cross-section	0,2 mm²
Multi-core max. conductor cross-section	6 mm²
Multi-core min. conductor cross-section with ferrule	0,25 mm²
Multi-core max. conductor cross-section with ferrule	6 mm²
Min. Stripping Length	10 mm
Max. Stripping Length	12 mm
Internal cylindrical indicator	A5
2 Conductors Of The Same Cross Section Multi Core Twin Ferrule With Plastic Sleeve	1,5 mm²

DIMENSIONS

Width	8 mm
Length	95,35 mm
Height Mr 35X75	43,00 mm
Height MR 35x15	50,50 mm