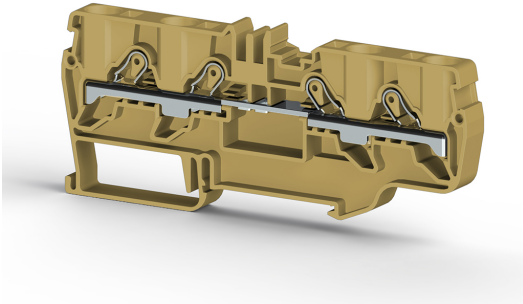


КЛЕММНЫЕ БЛОКИ > КЛЕММНЫЕ КОЛОДКИ С ВСТАВНЫМ КРЕПЛЕНИЕМ > МНОГОПРОВОДНЫЕ КЛЕММНЫЕ БЛОКИ



РҮК 6С Бежевый

Артикул (SKU): 307640

6 мм² Push-In 4-полюсная проходная клемма

Коммерческая информация

| | |
|----------------------------------|---------------------|
| Код продажи продукта | 307640 |
| Единица Упаковки | 35 шт. |
| Номер таможенного тарифа | 853690950000 |
| Вес за единицу, включая упаковку | 0.024405 kg. |

Техническая информация

| PRODUCT FEATURES | |
|---------------------------------------|----------------------|
| Number of Connections | 4 |
| Color | Beige |
| Number of Levels | 1 |
| Insulation Material | PA |
| UL 94 Flammability Class | V2 |
| Impulse Voltage Category | III |
| Insulation Material Group | I |
| Pollution Degree | 3 |
| Connection According to Standard | IEC 60947-7-1 |
| Continuous Operating Temperature max. | 120 °C |
| Continuous Operating Temperature min. | -55 °C |
| ELECTRICAL FEATURES | |
| Nominal Impulse Voltage | 8 Kv |

| | |
|----------------------|--------------|
| Nominal Current | 41 A |
| Nominal Voltage | 800 V |
| Maximum Load Current | 57 A |

CONNECTION DATA

| | |
|--|---------------------------|
| Connection Type | Push-In Connection |
| Single-core min. conductor cross-section | 0,5 mm² |
| Single-core max. conductor cross-section | 10 mm² |
| Conductor Cross Section Awgkcmil Min | 20 AWG |
| Conductor Cross Section Awgkcmil Max | 8 AWG |
| Multi-core min. conductor cross-section | 0,5 mm² |
| Multi-core max. conductor cross-section | 6 mm² |
| Multi-core min. conductor cross-section with ferrule | 0,5 mm² |
| Multi-core max. conductor cross-section with ferrule | 6 mm² |
| Min. Stripping Length | 11 mm |
| Max. Stripping Length | 13 mm |
| Internal cylindrical indicator | A5 |
| 2 Conductors Of The Same Cross Section Multi Core Twin Ferrule With Plastic Sleeve | 1,5 mm² |

DIMENSIONS

| | |
|-----------------|-----------------|
| Width | 8 mm |
| Length | 105,4 mm |
| Height Mr 35X75 | 46,2 mm |
| Height MR 35x15 | 53,7 mm |