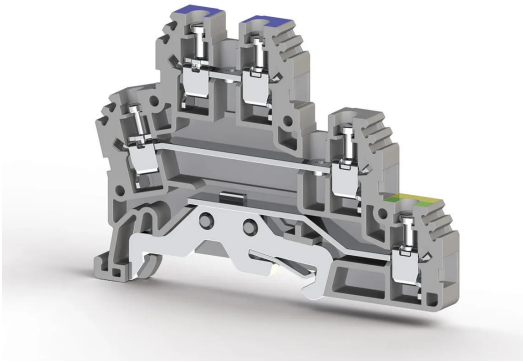


КЛЕММНЫЕ БЛОКИ > ВИНТОВЫЕ КЛЕММНЫЕ БЛОКИ > МНОГОУРОВНЕВЫЕ КЛЕММЫ



ПУК 2Т Серый

Артикул (SKU): 324209

Винтовая трёхуровневая клемма 2,5 мм² (2 фазы и земля)

Коммерческая информация

Код продажи продукта	324209
Единица Упаковки	20 шт.
Номер таможенного тарифа	853690950000
Вес за единицу, включая упаковку	0.02255 kg.

Техническая информация

PRODUCT FEATURES	
Number of Connections	5
Color	Grey
Number of Levels	3
Insulation Material	PA
UL 94 Flammability Class	V2
Impulse Voltage Category	III
Insulation Material Group	I
Pollution Degree	3
Protective Conductor Type	PE
Connection According to Standard	IEC 60947-7-1/ IEC 60947-7-2
Continuous Operating Temperature max.	120 °C
Continuous Operating Temperature min.	-55 °C

ELECTRICAL FEATURES

Nominal Impulse Voltage	6 Kv
Nominal Current	24 A
Nominal Voltage	440 V
Maximum Load Current	32 A

CONNECTION DATA

Connection Type	Screw Connection
Single-core min. conductor cross-section	0,2 mm²
Single-core max. conductor cross-section	4 mm²
Conductor Cross Section Awgkcmil Min	24 AWG
Conductor Cross Section Awgkcmil Max	12 AWG
Multi-core min. conductor cross-section	0,2 mm²
Multi-core max. conductor cross-section	4 mm²
Multi-core min. conductor cross-section with ferrule	0,25 mm²
Multi-core max. conductor cross-section with ferrule	2,5 mm²
2 Conductors Of The Same Cross Section Multi Core Twin Ferrule With Plastic Sleeve Min	0,5 mm²
2 Conductors Of The Same Cross Section Multi Core Twin Ferrule With Plastic Sleeve Max	1,5 mm²
Min. Stripping Length	7 mm
Max. Stripping Length	8 mm
Internal cylindrical indicator	A3
Tightening Torque Min	0,4 Nm
Tightening Torque Max	0,6 Nm

DIMENSIONS

Width	6 mm
Length	71,70 mm
Height Mr 35X75	52,50 mm
Height MR 35x15	60 mm