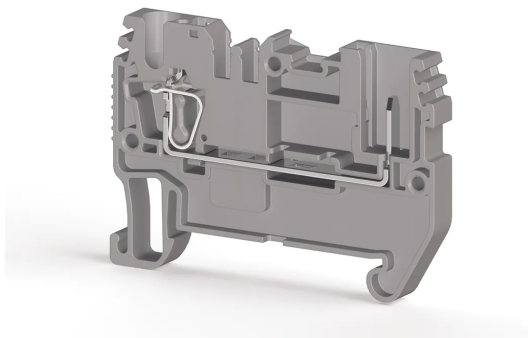


КЛЕММНЫЕ БЛОКИ > ПРУЖИННЫЕ КЛЕММНЫЕ БЛОКИ > ПРОХОДНЫЕ КЛЕММЫ



СТР 2,5 Серый

Артикул (SKU): 310129

Проходная клемма Cage Clamp 2,5 мм², 1 вход-1 выход

Коммерческая информация

Код продажи продукта	310129
Единица Упаковки	50 pcs. шт.
Номер таможенного тарифа	853690950000
Вес за единицу, включая упаковку	0.00616 kg.

Техническая информация

PRODUCT FEATURES	
Number of Connections	2
Color	Grey
Number of Levels	1
Insulation Material	PA
UL 94 Flammability Class	V0
Impulse Voltage Category	III
Insulation Material Group	I
Pollution Degree	3
Connection According to Standard	IEC 61984 / IEC 60947-7-1
Fire Protection In Railway Vehicles Din En 45545 2 R22 R23 R24 R26	HL 1 - HL 2 - HL 3
Continuous Operating Temperature max.	130 °C
Continuous Operating Temperature min.	-60 °C

ELECTRICAL FEATURES

Nominal Impulse Voltage	6 Kv
Nominal Current	24 A
Nominal Voltage	500 V
Maximum Load Current	24 A

CONNECTION DATA

Connection Type	Spring/Pin Connection
Single-core min. conductor cross-section	0,08 mm²
Single-core max. conductor cross-section	4 mm²
Conductor Cross Section Awgkcmil Min	28 AWG
Conductor Cross Section Awgkcmil Max	12 kcmil
Multi-core min. conductor cross-section	0,14 mm²
Multi-core max. conductor cross-section	2,5 mm²
Multi-core min. conductor cross-section with ferrule	0,14 mm²
Multi-core max. conductor cross-section with ferrule	2,5 mm²
Min. Stripping Length	8 mm
Max. Stripping Length	10 mm
Internal cylindrical indicator	A3
2 Conductors Of The Same Cross Section Multi Core Twin Ferrule With Plastic Sleeve	0,5 mm²

DIMENSIONS

Width	5,2 mm
Length	51,60 mm
Height Mr 35X75	37,30 mm
Height MR 35x15	44,80 mm