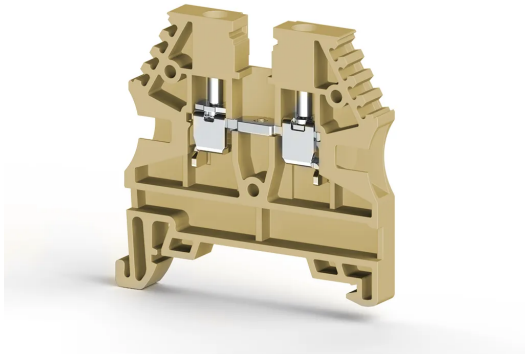


КЛЕММНЫЕ БЛОКИ > ВИНТОВЫЕ КЛЕММНЫЕ БЛОКИ > ПРОХОДНЫЕ КЛЕММЫ



AVK 2,5 Бежевый

Артикул (SKU): 304129

Винтовая проходная клемма 2,5 мм², однорядная

Коммерческая информация

Код продажи продукта	304129
Единица Упаковки	100 шт.
Номер таможенного тарифа	853690950000
Вес за единицу, включая упаковку	0.0064 kg.

Техническая информация

PRODUCT FEATURES

Number of Connections	2
Color	Beige
Number of Levels	1
Insulation Material	PA
UL 94 Flammability Class	V2
Impulse Voltage Category	III
Insulation Material Group	I
Pollution Degree	3
Connection According to Standard	IEC 60947-7-1
Continuous Operating Temperature max.	120 °C
Continuous Operating Temperature min.	-55 °C

ELECTRICAL FEATURES

Nominal Impulse Voltage	8 Kv
-------------------------	-------------

Nominal Current	24 A
Nominal Voltage	750 V
Maximum Load Current	32 A

CONNECTION DATA

Connection Type	Screw Connection
Single-core min. conductor cross-section	0,2 mm²
Single-core max. conductor cross-section	4 mm²
Conductor Cross Section Awgkcmil Min	24 AWG
Conductor Cross Section Awgkcmil Min	kcmil
Conductor Cross Section Awgkcmil Max	12 AWG
Multi-core min. conductor cross-section	0,2 mm²
Multi-core max. conductor cross-section	4 mm²
Multi-core min. conductor cross-section with ferrule	0,25 mm²
Multi-core max. conductor cross-section with ferrule	2,5 mm²
2 Conductors Of The Same Cross Section Multi Core Twin Ferrule With Plastic Sleeve Min	0,5 mm²
2 Conductors Of The Same Cross Section Multi Core Twin Ferrule With Plastic Sleeve Max	1,5 mm²
Min. Stripping Length	9 mm
Max. Stripping Length	10 mm
Internal cylindrical indicator	A3
Tightening Torque Min	0,4 Nm
Tightening Torque Max	0,6 Nm

DIMENSIONS

Width	5 mm
Length	44,2 mm
Height Mr 35X75	44,4 mm
Height MR 35x15	51,9 mm