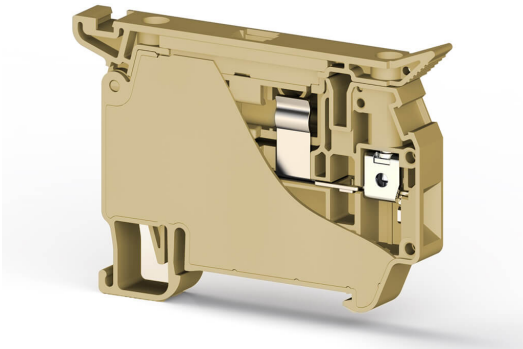


КЛЕММНЫЕ БЛОКИ > ВИНТОВЫЕ КЛЕММНЫЕ БЛОКИ > ПРЕДОХРАНИТЕЛЬНЫЕ КЛЕММЫ



ASK 5 Бежевый

Артикул (SKU): 353400

Винтовая предохранительная клемма 4 мм²

Коммерческая информация

Код продажи продукта	353400
Единица Упаковки	50 шт.
Номер таможенного тарифа	853690950000
Вес за единицу, включая упаковку	0.0176 kg.

Техническая информация

PRODUCT FEATURES	
Number of Connections	2
Color	Beige
Number of Levels	1
Insulation Material	PA
UL 94 Flammability Class	V2
Impulse Voltage Category	III
Insulation Material Group	I
Pollution Degree	3
Connection According to Standard	IEC 60947-7-3
Continuous Operating Temperature max.	120 °C
Continuous Operating Temperature min.	-55 °C
Fuse	G / 5x20 - 5x25
Fuse Type	Cam / Glass

ELECTRICAL FEATURES

Nominal Current	10 A
Nominal Voltage	500 V

CONNECTION DATA

Connection Type	Screw Connection
Single-core min. conductor cross-section	0.2 mm²
Single-core max. conductor cross-section	6 mm²
Conductor Cross Section Awgkcmil Min	24 AWG
Conductor Cross Section Awgkcmil Max	10 AWG
Multi-core min. conductor cross-section	0.2 mm²
Multi-core max. conductor cross-section	6 mm²
Multi-core min. conductor cross-section with ferrule	0,25 mm²
Multi-core max. conductor cross-section with ferrule	4 mm²
2 Conductors Of The Same Cross Section Multi Core Twin Ferrule With Plastic Sleeve Min	0,5 mm²
2 Conductors Of The Same Cross Section Multi Core Twin Ferrule With Plastic Sleeve Max	2.5 mm²
Min. Stripping Length	8 mm
Max. Stripping Length	9 mm
Internal cylindrical indicator	A4
Tightening Torque Min	0,5 Nm
Tightening Torque Max	0,8 Nm

DIMENSIONS

Width	8 mm
Length	69.60 mm
Height Mr 35X75	51 mm
Height MR 35x15	58.50 mm