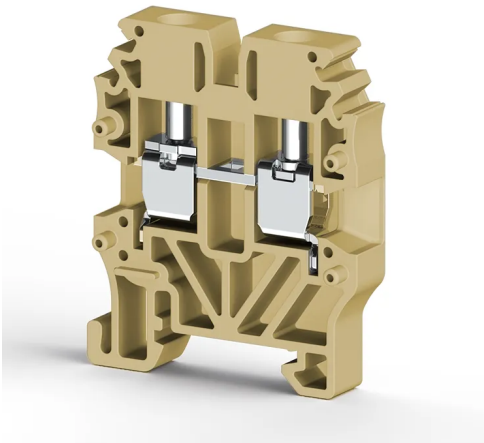


КЛЕММНЫЕ БЛОКИ > ВИНТОВЫЕ КЛЕММНЫЕ БЛОКИ > МИНИ-КЛЕММЫ



MVK 2,5 Бежевый

Артикул (SKU): 304420

Винтовая клемма, 2,5 мм² проходная для DIN-рейки MR15 (бежевый)

Коммерческая информация

Код продажи продукта	304420
Единица Упаковки	100 шт.
Номер таможенного тарифа	853690950000
Вес за единицу, включая упаковку	0.00475 kg.

Техническая информация

PRODUCT FEATURES	
Number of Connections	2
Color	Beige
Number of Levels	1
Insulation Material	PA
UL 94 Flammability Class	V2
Impulse Voltage Category	III
Insulation Material Group	I
Pollution Degree	3
Connection According to Standard	IEC 60947-7-1
Continuous Operating Temperature max.	120 °C
Continuous Operating Temperature min.	-55 °C

ELECTRICAL FEATURES

Nominal Impulse Voltage	8 Kv
Nominal Current	24 A
Nominal Voltage	400 V
Maximum Load Current	32 A

CONNECTION DATA

Connection Type	Screw Connection
Single-core min. conductor cross-section	0,2 mm²
Single-core max. conductor cross-section	4 mm²
Conductor Cross Section Awgkcmil Min	24 AWG
Conductor Cross Section Awgkcmil Min	kcmil
Conductor Cross Section Awgkcmil Max	12 AWG
Multi-core min. conductor cross-section	0,2 mm²
Multi-core max. conductor cross-section	4 mm²
Multi-core min. conductor cross-section with ferrule	0,25 mm²
Multi-core max. conductor cross-section with ferrule	2,5 mm²
2 Conductors Of The Same Cross Section Multi Core Twin Ferrule With Plastic Sleeve Min	0,5 mm²
2 Conductors Of The Same Cross Section Multi Core Twin Ferrule With Plastic Sleeve Max	1,5 mm²
Min. Stripping Length	9 mm
Max. Stripping Length	10 mm
Internal cylindrical indicator	A3
Tightening Torque Min	0,4 Nm
Tightening Torque Max	0,6 Nm

DIMENSIONS

Width	5 mm
Length	27,7 mm
Height Mr 15X55	33,7 mm