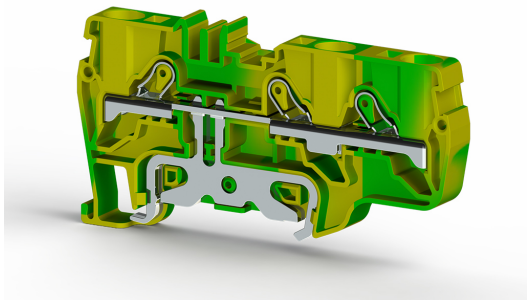


КЛЕММНЫЕ БЛОКИ > КЛЕММНЫЕ КОЛОДКИ С ВСТАВНЫМ КРЕПЛЕНИЕМ > ЗАЗЕМЛЯЮЩИЕ КЛЕММЫ



РҮК 6ЕТ

Артикул (SKU): 336620

Клеммная колодка push-in, 6 мм² 1 вход-2 выхода заземляющая

Коммерческая информация

Код продажи продукта	336620
Единица Упаковки	45 шт.

Техническая информация

PRODUCT FEATURES	
Number of Connections	3
Color	Yellow-Green
Number of Levels	1
Protective Conductor Type	PE
Insulation Material	PA
UL 94 Flammability Class	V2
Impulse Voltage Category	III
Insulation Material Group	I
Pollution Degree	3
Connection According to Standard	IEC 60947-7-2
Continuous Operating Temperature max.	120 °C
Continuous Operating Temperature min.	-55 °C

ELECTRICAL FEATURES	
Nominal Impulse Voltage	8 Kv

CONNECTION DATA	
-----------------	--

Connection Type	Push-In Connection
Single-core min. conductor cross-section	0,5 mm²
Single-core max. conductor cross-section	10 mm²
Conductor Cross Section Awgkcmil Min	20 AWG
Conductor Cross Section Awgkcmil Max	8 AWG
Multi-core min. conductor cross-section	0,5 mm²
Multi-core max. conductor cross-section	6 mm²
Multi-core min. conductor cross-section with ferrule	0,5 mm²
Multi-core max. conductor cross-section with ferrule	6 mm²
Min. Stripping Length	11 mm
Max. Stripping Length	13 mm
Internal cylindrical indicator	A5
2 Conductors Of The Same Cross Section Multi Core Twin Ferrule With Plastic Sleeve	1,5 mm²

DIMENSIONS

Width	8 mm
Length	65,6 mm
Height Mr 35X75	46,2 mm
Height MR 35x15	53,7 mm