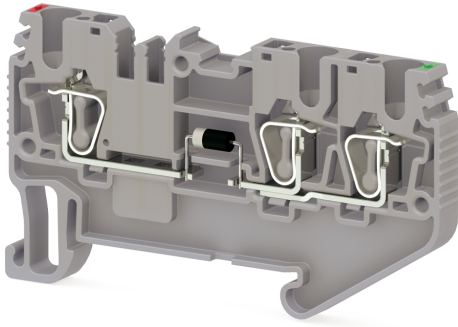


КЛЕММНЫЕ БЛОКИ > ПРУЖИННЫЕ КЛЕММНЫЕ БЛОКИ > КЛЕММЫ ДЛЯ ЭЛЕКТРОННЫХ КОМПОНЕНТОВ



## СРД 2,5 ED-B

Артикул (SKU): 311109

Клеммная колодка компонентов Cage Clamp, 2,5 мм<sup>2</sup>, 3-полюсная (диод)

### Коммерческая информация

Код продажи продукта	<b>311109</b>
Единица Упаковки	<b>50 шт.</b>
Номер таможенного тарифа	<b>853690950000</b>
Вес за единицу, включая упаковку	<b>0.008688 kg.</b>

### Техническая информация

PRODUCT FEATURES	
Number of Connections	<b>3</b>
Color	<b>Grey</b>
Number of Levels	<b>1</b>
Insulation Material	<b>PA</b>
UL 94 Flammability Class	<b>V0</b>
Impulse Voltage Category	<b>III</b>
Insulation Material Group	<b>I</b>
Pollution Degree	<b>3</b>
Connection According to Standard	<b>IEC 60947-7-1</b>
Fire Protection In Railway Vehicles Din En 45545 2 R22 R23 R24 R26	<b>HL1 - HL2 - HL3</b>
Continuous Operating Temperature max.	<b>130 °C</b>
Continuous Operating Temperature min.	<b>-60 °C</b>

Note	<b>Max. current is determined by the diode. 1N 4007 diode, reverse voltage</b>
------	--

## ELECTRICAL FEATURES

Nominal Impulse Voltage	<b>8 Kv</b>
Nominal Current	<b>1 A</b>
Nominal Voltage	<b>800 V</b>

## CONNECTION DATA

Connection Type	<b>Spring Connection</b>
Single-core min. conductor cross-section	<b>0,08 mm<sup>2</sup></b>
Single-core max. conductor cross-section	<b>4 mm<sup>2</sup></b>
Conductor Cross Section Awgkcmil Min	<b>28 AWG</b>
Conductor Cross Section Awgkcmil Max	<b>12 AWG</b>
Multi-core min. conductor cross-section	<b>0,14 mm<sup>2</sup></b>
Multi-core max. conductor cross-section	<b>2,5 mm<sup>2</sup></b>
Multi-core min. conductor cross-section with ferrule	<b>0,14 mm<sup>2</sup></b>
Multi-core max. conductor cross-section with ferrule	<b>2,5 mm<sup>2</sup></b>
2 Conductors Of The Same Cross Section Multi Core Twin Ferrule With Plastic Sleeve Max	<b>0,5 mm<sup>2</sup></b>
Min. Stripping Length	<b>8 mm</b>
Max. Stripping Length	<b>10 mm</b>
Internal cylindrical indicator	<b>A3</b>

## DIMENSIONS

Width	<b>5,2 mm</b>
Length	<b>65,20 mm</b>
Height Mr 35X75	<b>37,30 mm</b>
Height MR 35x15	<b>44,80 mm</b>