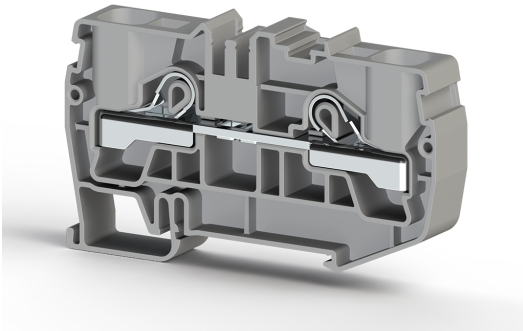


КЛЕММНЫЕ БЛОКИ > КЛЕММНЫЕ КОЛОДКИ С ВСТАВНЫМ КРЕПЛЕНИЕМ > ПРОХОДНЫЕ КЛЕММЫ



РҮК 16

Артикул (SKU): 307659

Проходная клеммная колодка 16 мм², push-in

Коммерческая информация

Код продажи продукта	307659
Единица Упаковки	30 шт.
Номер таможенного тарифа	853690950000
Вес за единицу, включая упаковку	0.0311 kg.

Техническая информация

PRODUCT FEATURES	
Number of Connections	2
Number of Levels	1
Insulation Material	PA
UL 94 Flammability Class	V2
Impulse Voltage Category	III
Insulation Material Group	I
Pollution Degree	3
Connection According to Standard	IEC 60947-7-1
Continuous Operating Temperature max.	120 °C
Continuous Operating Temperature min.	-55 °C
ELECTRICAL FEATURES	
Nominal Impulse Voltage	8 Kv
Nominal Current	76 A

Nominal Voltage	1000 V
Maximum Load Current	85 A
Nominal Current In Fuse	76 A

CONNECTION DATA

Connection Type	Push-In Connection
Single-core min. conductor cross-section	0,5 mm²
Single-core max. conductor cross-section	25 mm²
Conductor Cross Section Awgkcmil Min	20 AWG
Conductor Cross Section Awgkcmil Max	4 AWG
Multi-core min. conductor cross-section	0,5 mm²
Multi-core max. conductor cross-section	16 mm²
Multi-core min. conductor cross-section with ferrule	0,5 mm²
Multi-core max. conductor cross-section with ferrule	16 mm²
2 Conductors Of The Same Cross Section Multi Core Twin Ferrule With Plastic Sleeve Max	4 mm²
Min. Stripping Length	16 mm
Max. Stripping Length	18 mm
Internal cylindrical indicator	B7

DIMENSIONS

Width	12 mm
Length	81,45 mm
Height Mr 35X75	49,50 mm
Height MR 35x15	57,00 mm