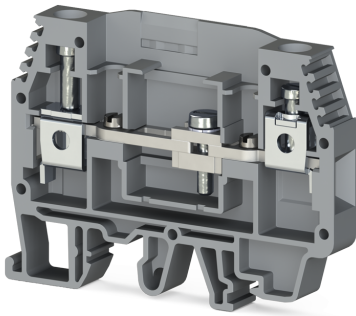


КЛЕММНЫЕ БЛОКИ > ВИНТОВЫЕ КЛЕММНЫЕ БЛОКИ > ТЕСТОВЫЕ
РАЗМЫКАЕМЫЕ КЛЕММЫ



WGO 1 Серый без гнезда

Артикул (SKU): 370590

Винтовая тестовая и размыкаемая клемма 6 мм²

Коммерческая информация

Код продажи продукта	370590
Единица Упаковки	60 шт.
Номер таможенного тарифа	853690950000
Вес за единицу, включая упаковку	0.024 kg.

Техническая информация

PRODUCT FEATURES

Number of Connections	2
Color	Grey
Number of Levels	1
Insulation Material	PA
UL 94 Flammability Class	V2
Impulse Voltage Category	III
Insulation Material Group	I
Pollution Degree	3
Connection According to Standard	IEC 60947-7-1
Continuous Operating Temperature max.	120 °C
Continuous Operating Temperature min.	-55 °C

ELECTRICAL FEATURES

Nominal Impulse Voltage	8 Kv
-------------------------	-------------

Nominal Current	41 A
Nominal Voltage	400 V
Maximum Load Current	57 A

CONNECTION DATA

Connection Type	Screw Connection
Single-core min. conductor cross-section	0,2 mm²
Single-core max. conductor cross-section	10 mm²
Conductor Cross Section Awgkcmil Min	24 AWG
Conductor Cross Section Awgkcmil Max	8 AWG
Multi-core min. conductor cross-section	0,2 mm²
Multi-core max. conductor cross-section	10 mm²
Multi-core min. conductor cross-section with ferrule	0,25 mm²
Multi-core max. conductor cross-section with ferrule	6 mm²
2 Conductors Of The Same Cross Section Multi Core Twin Ferrule With Plastic Sleeve Min	0,5 mm²
2 Conductors Of The Same Cross Section Multi Core Twin Ferrule With Plastic Sleeve Max	4 mm²
Min. Stripping Length	10 mm
Max. Stripping Length	12 mm
Internal cylindrical indicator	B5
Tightening Torque Min	0,8 Nm
Tightening Torque Max	1,2 Nm

DIMENSIONS

Width	8 mm
Length	66,25 mm
Height Mr 35X75	50,85 mm
Height MR 35x15	58,35 mm
Height Mr 32	55,45 mm