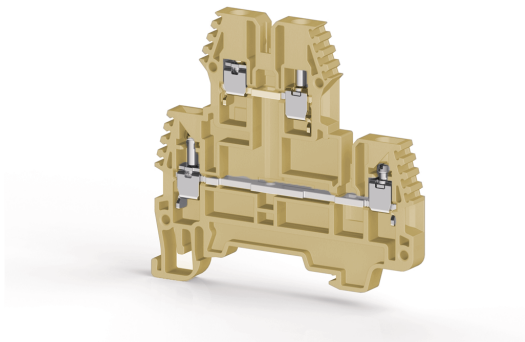


КЛЕММНЫЕ БЛОКИ > ВИНТОВЫЕ КЛЕММНЫЕ БЛОКИ > МНОГОУРОВНЕВЫЕ  
КЛЕММЫ

## PIK 2,5RD Бежевый

Артикул (SKU): 325240

Винтовая клемма 2-слойная, 2,5 мм<sup>2</sup>, проходная

### Коммерческая информация

Код продажи продукта	<b>325240</b>
Единица Упаковки	<b>100 шт.</b>
Номер таможенного тарифа	<b>853690950000</b>
Вес за единицу, включая упаковку	<b>0.013 kg.</b>

### Техническая информация

PRODUCT FEATURES	
Number of Connections	<b>4</b>
Color	<b>Beige</b>
Number of Levels	<b>2</b>
Insulation Material	<b>PA</b>
UL 94 Flammability Class	<b>V2</b>
Impulse Voltage Category	<b>III</b>
Insulation Material Group	<b>I</b>
Pollution Degree	<b>3</b>
Connection According to Standard	<b>IEC 60947-7-1</b>
Continuous Operating Temperature max.	<b>120 °C</b>
Continuous Operating Temperature min.	<b>-55 °C</b>

ELECTRICAL FEATURES	
Nominal Impulse Voltage	<b>6 Kv</b>

Nominal Current	<b>24 A</b>
Nominal Voltage	<b>500 V</b>
Maximum Load Current	<b>28 A</b>

## CONNECTION DATA

Connection Type	<b>Screw Connection</b>
Single-core min. conductor cross-section	<b>0,2 mm<sup>2</sup></b>
Single-core max. conductor cross-section	<b>4 mm<sup>2</sup></b>
Conductor Cross Section Awgkcmil Min	<b>24 AWG</b>
Conductor Cross Section Awgkcmil Max	<b>12 AWG</b>
Multi-core min. conductor cross-section	<b>0,2 mm<sup>2</sup></b>
Multi-core max. conductor cross-section	<b>4 mm<sup>2</sup></b>
Multi-core min. conductor cross-section with ferrule	<b>0,25 mm<sup>2</sup></b>
Multi-core max. conductor cross-section with ferrule	<b>2,5 mm<sup>2</sup></b>
2 Conductors Of The Same Cross Section Multi Core Twin Ferrule With Plastic Sleeve Min	<b>0,5 mm<sup>2</sup></b>
2 Conductors Of The Same Cross Section Multi Core Twin Ferrule With Plastic Sleeve Max	<b>1,5 mm<sup>2</sup></b>
Min. Stripping Length	<b>9 mm</b>
Max. Stripping Length	<b>10 mm</b>
Internal cylindrical indicator	<b>A3</b>
Tightening Torque Min	<b>0,4 Nm</b>
Tightening Torque Max	<b>0,6 Nm</b>

## DIMENSIONS

Width	<b>5 mm</b>
Length	<b>64 mm</b>
Height Mr 35X75	<b>61,20 mm</b>
Height MR 35x15	<b>68,70 mm</b>