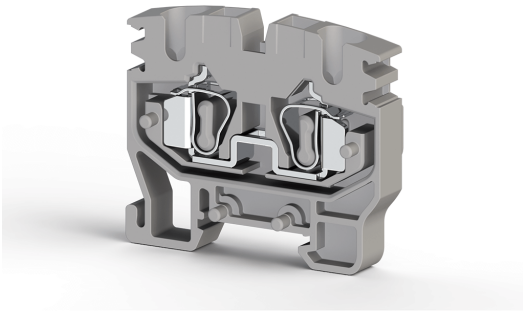


КЛЕММНЫЕ БЛОКИ > ПРУЖИННЫЕ КЛЕММНЫЕ БЛОКИ > МИНИ-КЛЕММЫ



MYKR 2,5 Серый

Артикул (SKU): 306509

2,5 мм² клемма Cage Clamp 2-полюсная мини

Коммерческая информация

Код продажи продукта	306509
Единица Упаковки	50 шт.
Номер таможенного тарифа	853690950000
Вес за единицу, включая упаковку	0.0048 kg.

Техническая информация

PRODUCT FEATURES

Number of Connections	2
Color	Grey
Number of Levels	1
Insulation Material	PA
UL 94 Flammability Class	V2
Impulse Voltage Category	III
Insulation Material Group	I
Pollution Degree	3
Connection According to Standard	IEC 60947-7-1
Continuous Operating Temperature max.	120 °C
Continuous Operating Temperature min.	-55 °C

ELECTRICAL FEATURES

Nominal Impulse Voltage	8 Kv
-------------------------	-------------

Nominal Current	24 A
Nominal Voltage	800 V
Maximum Load Current	32 A

CONNECTION DATA

Connection Type	Spring Connection
Single-core min. conductor cross-section	0,08 mm²
Single-core max. conductor cross-section	4 mm²
Conductor Cross Section Awgkcmil Min	28 AWG
Conductor Cross Section Awgkcmil Max	12 AWG
Multi-core min. conductor cross-section	0,08 mm²
Multi-core max. conductor cross-section	2,5 mm²
Multi-core min. conductor cross-section with ferrule	0,14 mm²
Multi-core max. conductor cross-section with ferrule	2,5 mm²
2 Conductors Of The Same Cross Section Multi Core Twin Ferrule With Plastic Sleeve Max	0,5 mm²
Min. Stripping Length	9 mm
Max. Stripping Length	10 mm
Internal cylindrical indicator	B3

DIMENSIONS

Width	5 mm
Length	40,75 mm
Height Mr 35X75	41,6 mm
Height MR 35x15	39,1 mm