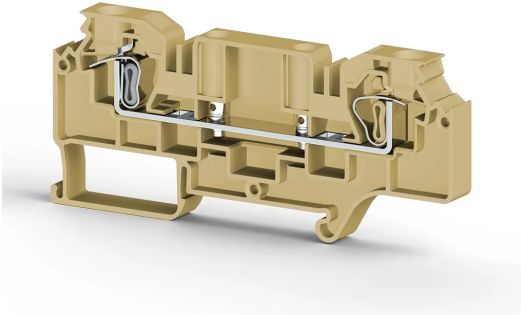


TERMINAL BLOCKS > SPRING CLAMP TYPE TERMINAL BLOCKS > TEST AND DISCONNECT TERMINALS



WGO D5 Beige

Stock Keeping Unit (SKU): 376200

Screw Type, 6 mm² test and disconnect terminal block

Commercial Information

Product Sales Code	376200
Package Unit	40 pcs.
Customs Tariff Number	853690950000
Weight Per Unit Including Packaging	0.024 kg.

Technical Information

PRODUCT FEATURES	
Number of Connections	2
Color	Beige
Number of Levels	1
Insulation Material	PA
UL 94 Flammability Class	V2
Impulse Voltage Category	III
Insulation Material Group	I
Pollution Degree	3
Connection According to Standard	IEC 60947-7-1
Continuous Operating Temperature max.	120 °C
Continuous Operating Temperature min.	-55 °C
ELECTRICAL FEATURES	
Nominal Impulse Voltage	6 Kv

Nominal Current	41 A
Nominal Voltage	500 V
Maximum Load Current	57 A

CONNECTION DATA

Connection Type	Spring Connection
Single-core min. conductor cross-section	0,2 mm²
Single-core max. conductor cross-section	10 mm²
Conductor Cross Section Awgkcmil Min	24 AWG
Conductor Cross Section Awgkcmil Max	8 AWG
Multi-core min. conductor cross-section	0,2 mm²
Multi-core max. conductor cross-section	6 mm²
Multi-core min. conductor cross-section with ferrule	0,25 mm²
Multi-core max. conductor cross-section with ferrule	6 mm²
Min. Stripping Length	10 mm
Max. Stripping Length	12 mm
Internal cylindrical indicator	A5
2 Conductors Of The Same Cross Section Multi Core Twin Ferrule With Plastic Sleeve	1,5 mm²

DIMENSIONS

Width	8 mm
Length	95,35 mm
Height Mr 35X75	43,00 mm
Height MR 35x15	50,50 mm