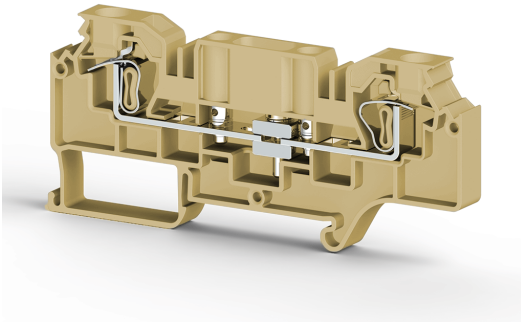


TERMINAL BLOCKS > SPRING CLAMP TYPE TERMINAL BLOCKS > TEST AND DISCONNECT TERMINALS



## WGO 5 Beige

**Stock Keeping Unit (SKU):** 376100

*6 mm<sup>2</sup> Cage Clamp Test and Disconnect Terminal Block*

### Commercial Information

Product Sales Code	<b>376100</b>
Package Unit	<b>40 pcs.</b>
Customs Tariff Number	<b>853690950000</b>
Weight Per Unit Including Packaging	<b>0.024 kg.</b>

### Technical Information

PRODUCT FEATURES	
Number of Connections	<b>2</b>
Color	<b>Beige</b>
Number of Levels	<b>1</b>
Insulation Material	<b>PA</b>
UL 94 Flammability Class	<b>V2</b>
Impulse Voltage Category	<b>III</b>
Insulation Material Group	<b>I</b>
Pollution Degree	<b>3</b>
Connection According to Standard	<b>IEC 60947-7-1</b>
Continuous Operating Temperature max.	<b>120 °C</b>
Continuous Operating Temperature min.	<b>-55 °C</b>

ELECTRICAL FEATURES	
Nominal Impulse Voltage	<b>6 Kv</b>

Nominal Current	<b>41 A</b>
Nominal Voltage	<b>500 V</b>
Maximum Load Current	<b>57 A</b>

## CONNECTION DATA

Connection Type	<b>Spring Connection</b>
Single-core min. conductor cross-section	<b>0,2 mm<sup>2</sup></b>
Single-core max. conductor cross-section	<b>10 mm<sup>2</sup></b>
Conductor Cross Section Awgkcmil Min	<b>24 AWG</b>
Conductor Cross Section Awgkcmil Max	<b>8 AWG</b>
Multi-core min. conductor cross-section	<b>0,2 mm<sup>2</sup></b>
Multi-core max. conductor cross-section	<b>6 mm<sup>2</sup></b>
Multi-core min. conductor cross-section with ferrule	<b>0,25 mm<sup>2</sup></b>
Multi-core max. conductor cross-section with ferrule	<b>6 mm<sup>2</sup></b>
Min. Stripping Length	<b>10 mm</b>
Max. Stripping Length	<b>12 mm</b>
Internal cylindrical indicator	<b>A5</b>
2 Conductors Of The Same Cross Section Multi Core Twin Ferrule With Plastic Sleeve	<b>1,5 mm<sup>2</sup></b>

## DIMENSIONS

Width	<b>8 mm</b>
Length	<b>95,35 mm</b>
Height Mr 35X75	<b>43,00 mm</b>
Height MR 35x15	<b>50,50 mm</b>