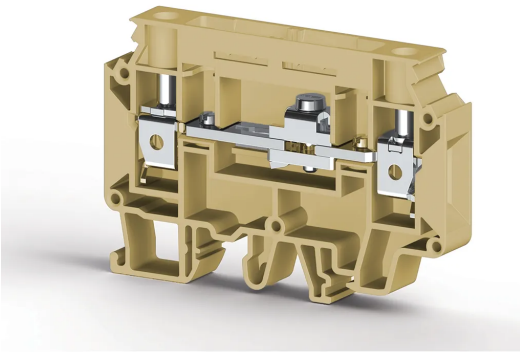


TERMINAL BLOCKS > SCREW TYPE TERMINAL BLOCKS > TEST AND DISCONNECT TERMINALS



WGO 2N Beige

Stock Keeping Unit (SKU): 375800

Screw Type, 10 mm² test and disconnect terminal block

Commercial Information

Product Sales Code	375800
Package Unit	50 pcs.
Customs Tariff Number	853690950000
Weight Per Unit Including Packaging	0.032 kg.

Technical Information

PRODUCT FEATURES

Number of Connections	2
Color	Beige
Number of Levels	1
Insulation Material	PA
UL 94 Flammability Class	V2
Impulse Voltage Category	III
Insulation Material Group	I
Pollution Degree	3
Connection According to Standard	IEC 60947-7-1
Continuous Operating Temperature max.	120 °C
Continuous Operating Temperature min.	-55 °C

ELECTRICAL FEATURES

Nominal Impulse Voltage	6 Kv
-------------------------	-------------

Nominal Current	57 A
Nominal Voltage	400 V
Maximum Load Current	57 A

CONNECTION DATA

Connection Type	Screw Connection
Single-core min. conductor cross-section	0,5 mm²
Single-core max. conductor cross-section	16 mm²
Conductor Cross Section Awgkcmil Min	20 AWG
Conductor Cross Section Awgkcmil Max	6 AWG
Multi-core min. conductor cross-section	0,5 mm²
Multi-core max. conductor cross-section	16 mm²
Multi-core min. conductor cross-section with ferrule	0,5 mm²
Multi-core max. conductor cross-section with ferrule	10 mm²
2 Conductors Of The Same Cross Section Multi Core Twin Ferrule With Plastic Sleeve Min	0,5 mm²
2 Conductors Of The Same Cross Section Multi Core Twin Ferrule With Plastic Sleeve Max	6 mm²
Min. Stripping Length	10 mm
Max. Stripping Length	12 mm
Internal cylindrical indicator	B6
Tightening Torque Min	1,2 Nm
Tightening Torque Max	1,8 Nm

DIMENSIONS

Width	10 mm
Length	74,60 mm
Height Mr 35X75	51,75 mm
Height MR 35x15	59,25 mm
Height Mr 32	56,35 mm