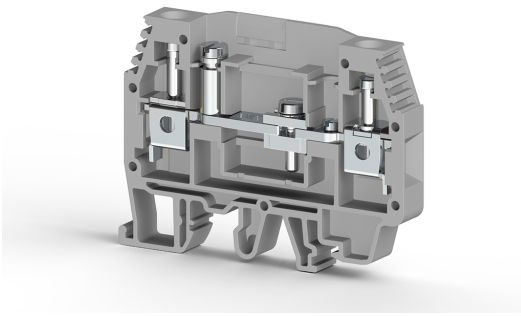


TERMINAL BLOCKS > SCREW TYPE TERMINAL BLOCKS > TEST AND DISCONNECT TERMINALS



WGO 1 Grey Single socket

Stock Keeping Unit (SKU): 370591

6mm² Screw Type Test and Disconnect Terminal Block

Commercial Information

Product Sales Code	370591
Package Unit	60 pcs.
Customs Tariff Number	853690950000
Weight Per Unit Including Packaging	0.0266666 kg.

Technical Information

PRODUCT FEATURES	
Number of Connections	2
Color	Grey
Number of Levels	1
Insulation Material	PA
UL 94 Flammability Class	V2
Impulse Voltage Category	III
Insulation Material Group	I
Pollution Degree	3
Connection According to Standard	IEC 60947-7-1
Continuous Operating Temperature max.	120 °C
Continuous Operating Temperature min.	-55 °C

ELECTRICAL FEATURES	
Nominal Impulse Voltage	8 Kv

Nominal Current	41 A
Nominal Voltage	400 V
Maximum Load Current	57 A

CONNECTION DATA

Connection Type	Screw Connection
Single-core min. conductor cross-section	0,2 mm²
Single-core max. conductor cross-section	10 mm²
Conductor Cross Section Awgkcmil Min	24 AWG
Conductor Cross Section Awgkcmil Max	8 AWG
Multi-core min. conductor cross-section	0,2 mm²
Multi-core max. conductor cross-section	10 mm²
Multi-core min. conductor cross-section with ferrule	0,25 mm²
Multi-core max. conductor cross-section with ferrule	6 mm²
2 Conductors Of The Same Cross Section Multi Core Twin Ferrule With Plastic Sleeve Min	0,5 mm²
2 Conductors Of The Same Cross Section Multi Core Twin Ferrule With Plastic Sleeve Max	4 mm²
Min. Stripping Length	10 mm
Max. Stripping Length	12 mm
Internal cylindrical indicator	B5
Tightening Torque Min	0,8 Nm
Tightening Torque Max	1,2 Nm

DIMENSIONS

Width	8 mm
Length	66,25 mm
Height Mr 35X75	50,85 mm
Height MR 35x15	58,35 mm
Height Mr 32	55,45 mm