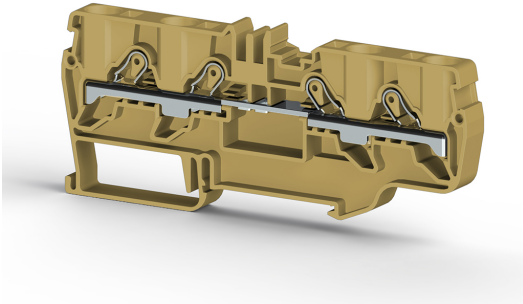


TERMINAL BLOCKS > PUSH-IN TYPE TERMINAL BLOCKS > MULTI-CONDUCTOR
TERMINAL BLOCKS



PYK 6C Beige

Stock Keeping Unit (SKU): 307640

6 mm² Push-In 4-Pole Feed-Through Terminal Block

Commercial Information

Product Sales Code	307640
Package Unit	35 pcs.
Customs Tariff Number	853690950000
Weight Per Unit Including Packaging	0.024405 kg.

Technical Information

PRODUCT FEATURES

Number of Connections	4
Color	Beige
Number of Levels	1
Insulation Material	PA
UL 94 Flammability Class	V2
Impulse Voltage Category	III
Insulation Material Group	I
Pollution Degree	3
Connection According to Standard	IEC 60947-7-1
Continuous Operating Temperature max.	120 °C
Continuous Operating Temperature min.	-55 °C

ELECTRICAL FEATURES

Nominal Impulse Voltage	8 Kv
-------------------------	-------------

Nominal Current	41 A
Nominal Voltage	800 V
Maximum Load Current	57 A

CONNECTION DATA

Connection Type	Push-In Connection
Single-core min. conductor cross-section	0,5 mm²
Single-core max. conductor cross-section	10 mm²
Conductor Cross Section Awgkcmil Min	20 AWG
Conductor Cross Section Awgkcmil Max	8 AWG
Multi-core min. conductor cross-section	0,5 mm²
Multi-core max. conductor cross-section	6 mm²
Multi-core min. conductor cross-section with ferrule	0,5 mm²
Multi-core max. conductor cross-section with ferrule	6 mm²
Min. Stripping Length	11 mm
Max. Stripping Length	13 mm
Internal cylindrical indicator	A5
2 Conductors Of The Same Cross Section Multi Core Twin Ferrule With Plastic Sleeve	1,5 mm²

DIMENSIONS

Width	8 mm
Length	105,4 mm
Height Mr 35X75	46,2 mm
Height MR 35x15	53,7 mm