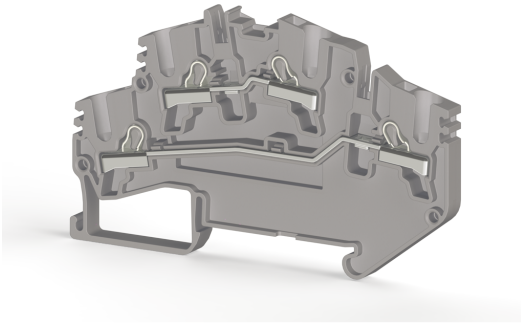


TERMINAL BLOCKS > PUSH-IN TYPE TERMINAL BLOCKS > MULTILEVEL TERMINALS



## PYK 2,5-M2F Grey

**Stock Keeping Unit (SKU):** 307699

*Push-in Terminal, 2,5 mm<sup>2</sup> 2 layer compact (mini) terminal block*

### Commercial Information

Product Sales Code	<b>307699</b>
Package Unit	<b>30 pcs.</b>
Customs Tariff Number	<b>853690950000</b>
Weight Per Unit Including Packaging	<b>0.014 kg.</b>

### Technical Information

PRODUCT FEATURES	
Number of Connections	<b>4</b>
Color	<b>Grey</b>
Number of Levels	<b>2</b>
Insulation Material	<b>PA</b>
UL 94 Flammability Class	<b>V2</b>
Impulse Voltage Category	<b>III</b>
Insulation Material Group	<b>I</b>
Pollution Degree	<b>3</b>
Connection According to Standard	<b>IEC-60947-7-1</b>
Continuous Operating Temperature max.	<b>120 °C</b>
Continuous Operating Temperature min.	<b>-55 °C</b>
ELECTRICAL FEATURES	
Nominal Impulse Voltage	<b>6 Kv</b>

Nominal Current	<b>24 A</b>
Nominal Voltage	<b>250 V</b>
Maximum Load Current	<b>32 A</b>

## CONNECTION DATA

Connection Type	<b>Push-In Connection</b>
Single-core min. conductor cross-section	<b>0,34 mm<sup>2</sup></b>
Single-core max. conductor cross-section	<b>4 mm<sup>2</sup></b>
Conductor Cross Section Awgkcmil Min	<b>22 AWG</b>
Conductor Cross Section Awgkcmil Max	<b>12 AWG</b>
Multi-core min. conductor cross-section	<b>0,34 mm<sup>2</sup></b>
Multi-core max. conductor cross-section	<b>2,5 mm<sup>2</sup></b>
Multi-core min. conductor cross-section with ferrule	<b>0,25 mm<sup>2</sup></b>
Multi-core max. conductor cross-section with ferrule	<b>2,5 mm<sup>2</sup></b>
2 Conductors Of The Same Cross Section Multi Core Twin Ferrule With Plastic Sleeve Max	<b>0,5 mm<sup>2</sup></b>
Min. Stripping Length	<b>9 mm</b>
Max. Stripping Length	<b>10 mm</b>
Internal cylindrical indicator	<b>A3</b>

## DIMENSIONS

Width	<b>5 mm</b>
Length	<b>81,9 mm</b>
Height Mr 35X75	<b>50,1 mm</b>
Height MR 35x15	<b>57,6 mm</b>