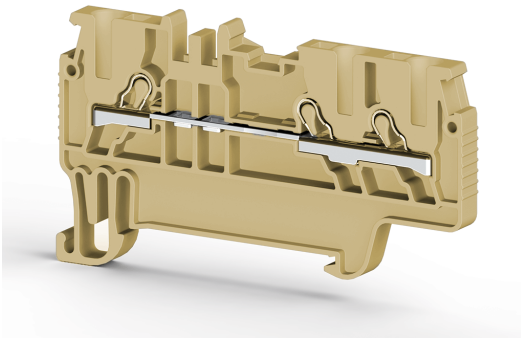


TERMINAL BLOCKS > PUSH-IN TYPE TERMINAL BLOCKS > MULTI-CONDUCTOR
TERMINAL BLOCKS



PYK 1,5ME Beige

Stock Keeping Unit (SKU): 307030

Push-in Type, 1,5 mm² 1 input-2 output feed-through mini terminal block

Commercial Information

| | |
|-------------------------------------|---------------------|
| Product Sales Code | 307030 |
| Package Unit | 70 pcs. |
| Customs Tariff Number | 853690950000 |
| Weight Per Unit Including Packaging | 0.0057 kg. |

Technical Information

| PRODUCT FEATURES | |
|---------------------------------------|----------------------|
| Number of Connections | 3 |
| Color | Beige |
| Number of Levels | 1 |
| Insulation Material | PA |
| UL 94 Flammability Class | V2 |
| Impulse Voltage Category | III |
| Insulation Material Group | I |
| Pollution Degree | 3 |
| Connection According to Standard | IEC 60947-7-1 |
| Continuous Operating Temperature max. | 120 °C |
| Continuous Operating Temperature min. | -55 °C |

| ELECTRICAL FEATURES | |
|-------------------------|-------------|
| Nominal Impulse Voltage | 8 Kv |

| | |
|----------------------|---------------|
| Nominal Current | 17,5 A |
| Nominal Voltage | 800 V |
| Maximum Load Current | 24 A |

CONNECTION DATA

| | |
|--|----------------------------|
| Connection Type | Push-In Connection |
| Single-core min. conductor cross-section | 0,34 mm² |
| Single-core max. conductor cross-section | 2,5 mm² |
| Conductor Cross Section Awgkcmil Min | 22 AWG |
| Conductor Cross Section Awgkcmil Max | 14 AWG |
| Multi-core min. conductor cross-section | 0,34 mm² |
| Multi-core max. conductor cross-section | 1,5 mm² |
| Multi-core min. conductor cross-section with ferrule | 0,5 mm² |
| Multi-core max. conductor cross-section with ferrule | 1,5 mm² |
| 2 Conductors Of The Same Cross Section Multi Core Twin Ferrule With Plastic Sleeve Max | 0,5 mm² |
| Min. Stripping Length | 9 mm |
| Max. Stripping Length | 10 mm |
| Internal cylindrical indicator | A1-B1 |

DIMENSIONS

| | |
|-----------------|-----------------|
| Width | 4,2 mm |
| Length | 63,60 mm |
| Height Mr 35X75 | 37,8 mm |
| Height Mr 15X55 | 45,3 mm |