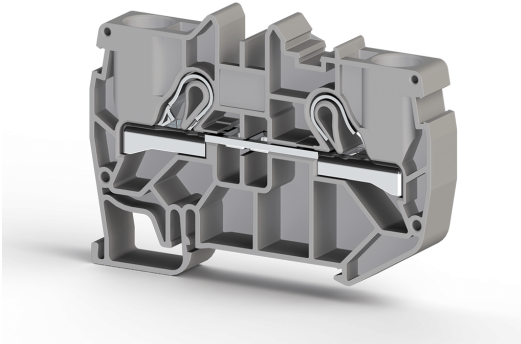


TERMINAL BLOCKS > PUSH-IN TYPE TERMINAL BLOCKS > FEED THROUGH TERMINALS



PYK 10

Stock Keeping Unit (SKU): 307139

Push-in Type, 10 mm² feed-through terminal block (gray)

Commercial Information

Product Sales Code	307139
Package Unit	50 pcs.
Customs Tariff Number	853690950000
Weight Per Unit Including Packaging	0.02294 kg.

Technical Information

PRODUCT FEATURES	
Number of Connections	2
Number of Levels	1
Insulation Material	PA
UL 94 Flammability Class	V2
Impulse Voltage Category	III
Insulation Material Group	I
Pollution Degree	3
Connection According to Standard	IEC 60947-7-1
Continuous Operating Temperature max.	120 °C
Continuous Operating Temperature min.	-55 °C
ELECTRICAL FEATURES	
Nominal Impulse Voltage	8 Kv
Nominal Voltage	800 V

Maximum Load Current	76 A
Nominal Current In Fuse	57 A

CONNECTION DATA

Connection Type	Push-In Connection
Single-core min. conductor cross-section	0,5 mm²
Single-core max. conductor cross-section	16 mm²
Conductor Cross Section Awgkcmil Min	20 AWG
Conductor Cross Section Awgkcmil Max	6 AWG
Multi-core min. conductor cross-section	0,5 mm²
Multi-core max. conductor cross-section	10 mm²
Multi-core min. conductor cross-section with ferrule	0,5 mm²
Multi-core max. conductor cross-section with ferrule	10 mm²
2 Conductors Of The Same Cross Section Multi Core Twin Ferrule With Plastic Sleeve Max	4 mm²
Min. Stripping Length	13 mm
Max. Stripping Length	15 mm
Internal cylindrical indicator	B6

DIMENSIONS

Width	10 mm
Length	75,4 mm
Height Mr 35X75	52 mm
Height MR 35x15	59,5 mm