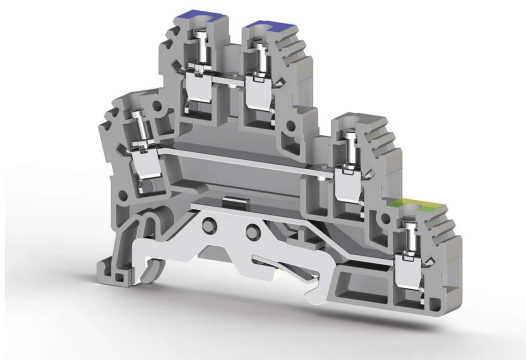


TERMINAL BLOCKS > SCREW TYPE TERMINAL BLOCKS > MULTILEVEL TERMINALS



PUK 2T Grey

Stock Keeping Unit (SKU): 324209

Screw Type, 2,5 mm² 3 layer terminal block (2 phase and ground)

Commercial Information

Product Sales Code	324209
Package Unit	20 pcs.
Customs Tariff Number	853690950000
Weight Per Unit Including Packaging	0.02255 kg.

Technical Information

PRODUCT FEATURES	
Number of Connections	5
Color	Grey
Number of Levels	3
Insulation Material	PA
UL 94 Flammability Class	V2
Impulse Voltage Category	III
Insulation Material Group	I
Pollution Degree	3
Protective Conductor Type	PE
Connection According to Standard	IEC 60947-7-1/ IEC 60947-7-2
Continuous Operating Temperature max.	120 °C
Continuous Operating Temperature min.	-55 °C

ELECTRICAL FEATURES

Nominal Impulse Voltage	6 Kv
Nominal Current	24 A
Nominal Voltage	440 V
Maximum Load Current	32 A

CONNECTION DATA

Connection Type	Screw Connection
Single-core min. conductor cross-section	0,2 mm²
Single-core max. conductor cross-section	4 mm²
Conductor Cross Section Awgkcmil Min	24 AWG
Conductor Cross Section Awgkcmil Max	12 AWG
Multi-core min. conductor cross-section	0,2 mm²
Multi-core max. conductor cross-section	4 mm²
Multi-core min. conductor cross-section with ferrule	0,25 mm²
Multi-core max. conductor cross-section with ferrule	2,5 mm²
2 Conductors Of The Same Cross Section Multi Core Twin Ferrule With Plastic Sleeve Min	0,5 mm²
2 Conductors Of The Same Cross Section Multi Core Twin Ferrule With Plastic Sleeve Max	1,5 mm²
Min. Stripping Length	7 mm
Max. Stripping Length	8 mm
Internal cylindrical indicator	A3
Tightening Torque Min	0,4 Nm
Tightening Torque Max	0,6 Nm

DIMENSIONS

Width	6 mm
Length	71,70 mm
Height Mr 35X75	52,50 mm
Height MR 35x15	60 mm