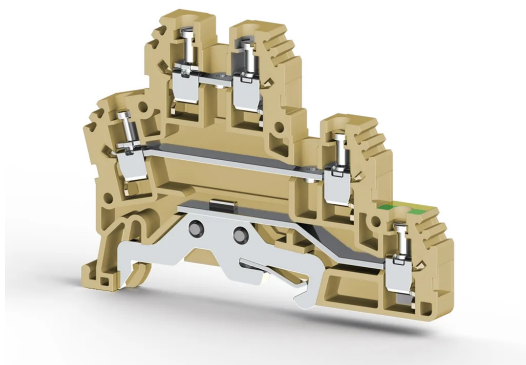


TERMINAL BLOCKS > SCREW TYPE TERMINAL BLOCKS > MULTILEVEL TERMINALS



## PUK 2T Beige

**Stock Keeping Unit (SKU):** 324200

*Screw Type, 2,5 mm<sup>2</sup> 3 layer terminal block (2 phase and ground)*

### Commercial Information

Product Sales Code	<b>324200</b>
Package Unit	<b>20 pcs.</b>
Customs Tariff Number	<b>853690950000</b>
Weight Per Unit Including Packaging	<b>0.02255 kg.</b>

### Technical Information

PRODUCT FEATURES	
Number of Connections	<b>5</b>
Color	<b>Beige</b>
Number of Levels	<b>3</b>
Insulation Material	<b>PA</b>
UL 94 Flammability Class	<b>V2</b>
Impulse Voltage Category	<b>III</b>
Insulation Material Group	<b>I</b>
Pollution Degree	<b>3</b>
Protective Conductor Type	<b>PE</b>
Connection According to Standard	<b>IEC 60947-7-1/ IEC 60947-7-2</b>
Continuous Operating Temperature max.	<b>120 °C</b>
Continuous Operating Temperature min.	<b>-55 °C</b>

### ELECTRICAL FEATURES

Nominal Impulse Voltage	<b>6 Kv</b>
Nominal Current	<b>24 A</b>
Nominal Voltage	<b>440 V</b>
Maximum Load Current	<b>32 A</b>

## CONNECTION DATA

Connection Type	<b>Screw Connection</b>
Single-core min. conductor cross-section	<b>0,2 mm<sup>2</sup></b>
Single-core max. conductor cross-section	<b>4 mm<sup>2</sup></b>
Conductor Cross Section Awgkcmil Min	<b>24 AWG</b>
Conductor Cross Section Awgkcmil Max	<b>12 AWG</b>
Multi-core min. conductor cross-section	<b>0,2 mm<sup>2</sup></b>
Multi-core max. conductor cross-section	<b>4 mm<sup>2</sup></b>
Multi-core min. conductor cross-section with ferrule	<b>0,25 mm<sup>2</sup></b>
Multi-core max. conductor cross-section with ferrule	<b>2,5 mm<sup>2</sup></b>
2 Conductors Of The Same Cross Section Multi Core Twin Ferrule With Plastic Sleeve Min	<b>0,5 mm<sup>2</sup></b>
2 Conductors Of The Same Cross Section Multi Core Twin Ferrule With Plastic Sleeve Max	<b>1,5 mm<sup>2</sup></b>
Min. Stripping Length	<b>7 mm</b>
Max. Stripping Length	<b>8 mm</b>
Internal cylindrical indicator	<b>A3</b>
Tightening Torque Min	<b>0,4 Nm</b>
Tightening Torque Max	<b>0,6 Nm</b>

## DIMENSIONS

Width	<b>6 mm</b>
Length	<b>71,70 mm</b>
Height Mr 35X75	<b>52,50 mm</b>
Height MR 35x15	<b>60 mm</b>