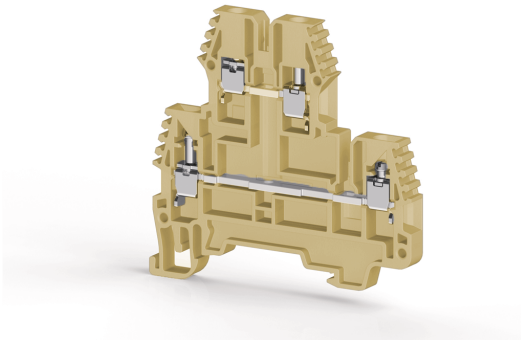


TERMINAL BLOCKS > SCREW TYPE TERMINAL BLOCKS > MULTILEVEL TERMINALS



## PIK 2,5RD Beige

**Stock Keeping Unit (SKU):** 325240

*Screw Type, 2 layer, 2,5 mm<sup>2</sup>, feed-through terminal block*

### Commercial Information

|                                     |                     |
|-------------------------------------|---------------------|
| Product Sales Code                  | <b>325240</b>       |
| Package Unit                        | <b>100 pcs.</b>     |
| Customs Tariff Number               | <b>853690950000</b> |
| Weight Per Unit Including Packaging | <b>0.013 kg.</b>    |

### Technical Information

| PRODUCT FEATURES                      |                      |
|---------------------------------------|----------------------|
| Number of Connections                 | <b>4</b>             |
| Color                                 | <b>Beige</b>         |
| Number of Levels                      | <b>2</b>             |
| Insulation Material                   | <b>PA</b>            |
| UL 94 Flammability Class              | <b>V2</b>            |
| Impulse Voltage Category              | <b>III</b>           |
| Insulation Material Group             | <b>I</b>             |
| Pollution Degree                      | <b>3</b>             |
| Connection According to Standard      | <b>IEC 60947-7-1</b> |
| Continuous Operating Temperature max. | <b>120 °C</b>        |
| Continuous Operating Temperature min. | <b>-55 °C</b>        |

| ELECTRICAL FEATURES     |             |
|-------------------------|-------------|
| Nominal Impulse Voltage | <b>6 Kv</b> |

|                      |              |
|----------------------|--------------|
| Nominal Current      | <b>24 A</b>  |
| Nominal Voltage      | <b>500 V</b> |
| Maximum Load Current | <b>28 A</b>  |

## CONNECTION DATA

|  |                            |
|--|----------------------------|
| Connection Type  | <b>Screw Connection</b>    |
| Single-core min. conductor cross-section   | <b>0,2 mm<sup>2</sup></b>  |
| Single-core max. conductor cross-section   | <b>4 mm<sup>2</sup></b>    |
| Conductor Cross Section Awgkcmil Min   | <b>24 AWG</b>              |
| Conductor Cross Section Awgkcmil Max   | <b>12 AWG</b>              |
| Multi-core min. conductor cross-section  | <b>0,2 mm<sup>2</sup></b>  |
| Multi-core max. conductor cross-section  | <b>4 mm<sup>2</sup></b>    |
| Multi-core min. conductor cross-section with ferrule                                   | <b>0,25 mm<sup>2</sup></b> |
| Multi-core max. conductor cross-section with ferrule                                   | <b>2,5 mm<sup>2</sup></b>  |
| 2 Conductors Of The Same Cross Section Multi Core Twin Ferrule With Plastic Sleeve Min | <b>0,5 mm<sup>2</sup></b>  |
| 2 Conductors Of The Same Cross Section Multi Core Twin Ferrule With Plastic Sleeve Max | <b>1,5 mm<sup>2</sup></b>  |
| Min. Stripping Length  | <b>9 mm</b>                |
| Max. Stripping Length  | <b>10 mm</b>               |
| Internal cylindrical indicator   | <b>A3</b>                  |
| Tightening Torque Min  | <b>0,4 Nm</b>              |
| Tightening Torque Max  | <b>0,6 Nm</b>              |

## DIMENSIONS

|                 |                 |
|-----------------|-----------------|
| Width           | <b>5 mm</b>     |
| Length          | <b>64 mm</b>    |
| Height Mr 35X75 | <b>61,20 mm</b> |
| Height MR 35x15 | <b>68,70 mm</b> |