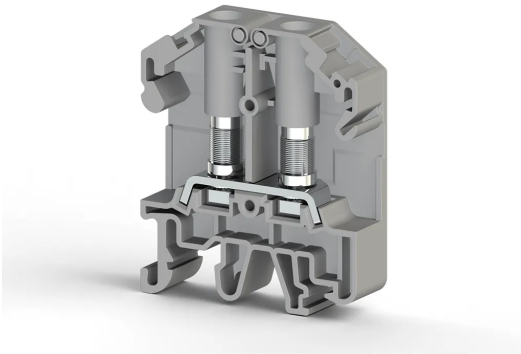


TERMINAL BLOCKS > BOLT TYPE TERMINAL BLOCKS > FEED THROUGH TERMINALS



## PB 6T/NM

**Stock Keeping Unit (SKU):** 308019

*Ring Type, 6 mm<sup>2</sup> feed-through terminal block (compatible with test plug) (V0)*

### Commercial Information

Product Sales Code	<b>308019</b>
Package Unit	<b>40 pcs.</b>
Customs Tariff Number	<b>853690950000</b>
Weight Per Unit Including Packaging	<b>0.02 kg.</b>

### Technical Information

PRODUCT FEATURES	
Number of Connections	<b>2</b>
Number of Levels	<b>1</b>
Insulation Material	<b>PA</b>
UL 94 Flammability Class	<b>V0</b>
Impulse Voltage Category	<b>III</b>
Insulation Material Group	<b>I</b>
Pollution Degree	<b>3</b>
Connection According to Standard	<b>IEC 60947-7-1</b>
Continuous Operating Temperature max.	<b>130 °C</b>
Continuous Operating Temperature min.	<b>-60 °C</b>
ELECTRICAL FEATURES	
Nominal Impulse Voltage	<b>8 Kv</b>
Nominal Current	<b>41 A</b>

Nominal Voltage	<b>800 V</b>
-----------------	--------------

## CONNECTION DATA

Connection Type	<b>Bolt Connection</b>
Single-core min. conductor cross-section	<b>0,5 mm<sup>2</sup></b>
Single-core max. conductor cross-section	<b>6 mm<sup>2</sup></b>
Conductor Cross Section Awgkcmil Min	<b>22 AWG</b>
Conductor Cross Section Awgkcmil Max	<b>8 AWG</b>
Multi-core min. conductor cross-section	<b>0,5 mm<sup>2</sup></b>
Multi-core max. conductor cross-section	<b>6 mm<sup>2</sup></b>
Tightening Torque Min	<b>0,8 Nm</b>
Tightening Torque Max	<b>1,2 Nm</b>
Hole Diameter Min	<b>4,2 mm</b>

## DIMENSIONS

Width	<b>11,00 mm</b>
Length	<b>44,70 mm</b>
Height Mr 35X75	<b>53,50 mm</b>
Height MR 35x15	<b>61,00 mm</b>
Height Mr 32	<b>58,10 mm</b>