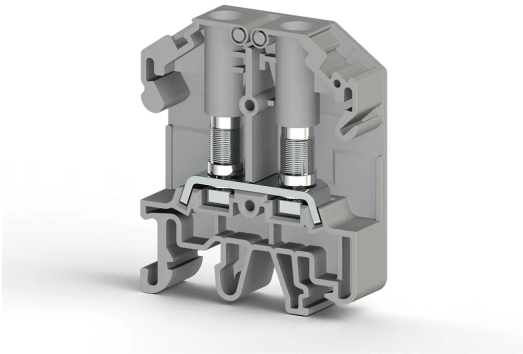


TERMINAL BLOCKS > BOLT TYPE TERMINAL BLOCKS > FEED THROUGH TERMINALS



PB 6/NM

Stock Keeping Unit (SKU): 308009

Ring Type, 6 mm² feed-through terminal block (V0)

Commercial Information

Product Sales Code	308009
Package Unit	40 pcs.
Customs Tariff Number	853690950000
Weight Per Unit Including Packaging	0.0215 kg.

Technical Information

PRODUCT FEATURES

Number of Connections	2
Number of Levels	1
Insulation Material	PA
UL 94 Flammability Class	V0
Impulse Voltage Category	III
Insulation Material Group	I
Pollution Degree	3
Connection According to Standard	IEC 60947-7-1
Continuous Operating Temperature max.	130 °C
Continuous Operating Temperature min.	-60 °C

ELECTRICAL FEATURES

Nominal Impulse Voltage	8 Kv
Nominal Current	41 A

Nominal Voltage	800 V
-----------------	--------------

CONNECTION DATA

Connection Type	Bolt Connection
Single-core min. conductor cross-section	0,5 mm²
Single-core max. conductor cross-section	6 mm²
Conductor Cross Section Awgkcmil Min	22 AWG
Conductor Cross Section Awgkcmil Max	8 AWG
Multi-core min. conductor cross-section	0,5 mm²
Multi-core max. conductor cross-section	6 mm²
Tightening Torque Min	0,8 Nm
Tightening Torque Max	1,2 Nm
Hole Diameter Min	4,2 mm

DIMENSIONS

Width	11,00 mm
Length	44,70 mm
Height Mr 35X75	53,50 mm
Height MR 35x15	61,00 mm
Height Mr 32	58,10 mm