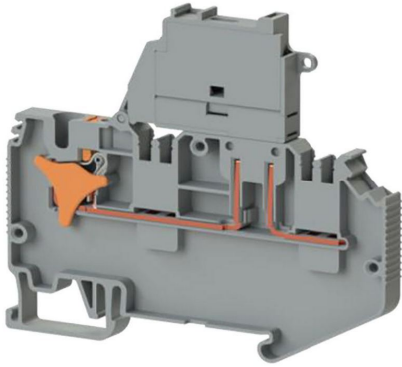


TERMINAL BLOCKS

## DS 4FFS K4 (Grey)

**Stock Keeping Unit (SKU):** 328999

*4 mm<sup>2</sup> single-phase + fused single-pole terminal block.*



### Commercial Information

Product Sales Code	<b>328999</b>
Package Unit	<b>40 pcs.</b>
Customs Tariff Number	<b>853690950000</b>

### Technical Information

PRODUCT FEATURES	
Number of Connections	<b>2</b>
Color	<b>grey</b>
Number of Levels	<b>1</b>
Insulation Material	<b>PA</b>
UL 94 Flammability Class	<b>V0</b>
Impulse Voltage Category	<b>III</b>
Insulation Material Group	<b>I</b>
Pollution Degree	<b>3</b>
Connection According to Standard	<b>IEC 60947-7-3</b>
Fire Protection In Railway Vehicles Din En 45545 2 R22 R23 R24 R26	<b>HL 1 - HL 2 - HL 3</b>
Continuous Operating Temperature max.	<b>130 °C</b>
Continuous Operating Temperature min.	<b>-60 °C</b>

Fuse	<b>G / 5x20</b>
Fuse Type	<b>Glass</b>

## ELECTRICAL FEATURES

Nominal Current	<b>10 A (at 4 mm<sup>2</sup>) A</b>
Nominal Voltage	<b>500 V</b>

## CONNECTION DATA

Connection Type	<b>Push-in connection</b>
Single-core min. conductor cross-section	<b>0,08 mm<sup>2</sup></b>
Single-core max. conductor cross-section	<b>6 mm<sup>2</sup></b>
Conductor Cross Section Awgkcmil Min	<b>28 AWG</b>
Conductor Cross Section Awgkcmil Max	<b>10 AWG</b>
Multi-core min. conductor cross-section	<b>0,14 mm<sup>2</sup></b>
Multi-core max. conductor cross-section	<b>4 mm<sup>2</sup></b>
Multi-core min. conductor cross-section with ferrule	<b>0,14 mm<sup>2</sup></b>
Multi-core max. conductor cross-section with ferrule	<b>4 mm<sup>2</sup></b>
2 Conductors Of The Same Cross Section Multi Core Twin Ferrule With Plastic Sleeve Min	<b>1 mm<sup>2</sup></b>
Min. Stripping Length	<b>8 mm</b>
Max. Stripping Length	<b>10 mm</b>
Internal cylindrical indicator	<b>A4</b>

## DIMENSIONS

Width	<b>6,20 mm</b>
Length	<b>83,80 mm</b>
Height Mr 35X75	<b>77,30 mm</b>
Height MR 35x15	<b>84,80 mm</b>