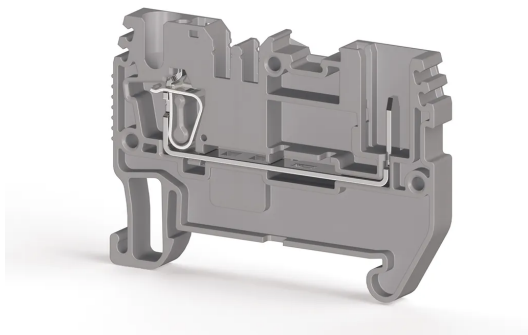


TERMINAL BLOCKS > SPRING CLAMP TYPE TERMINAL BLOCKS > FEED THROUGH TERMINALS



CTP 2,5 Gri

Stock Keeping Unit (SKU): 310129

2.5mm² Cage Clamp 1 In 1 Out feed-through terminal block

Commercial Information

Product Sales Code	310129
Package Unit	50 pcs.
Customs Tariff Number	853690950000
Weight Per Unit Including Packaging	0.00616 kg.

Technical Information

PRODUCT FEATURES	
Number of Connections	2
Color	Grey
Number of Levels	1
Insulation Material	PA
UL 94 Flammability Class	V0
Impulse Voltage Category	III
Insulation Material Group	I
Pollution Degree	3
Connection According to Standard	IEC 61984 / IEC 60947-7-1
Fire Protection In Railway Vehicles Din En 45545 2 R22 R23 R24 R26	HL 1 - HL 2 - HL 3
Continuous Operating Temperature max.	130 °C
Continuous Operating Temperature min.	-60 °C

ELECTRICAL FEATURES

Nominal Impulse Voltage	6 Kv
Nominal Current	24 A
Nominal Voltage	500 V
Maximum Load Current	24 A

CONNECTION DATA

Connection Type	Spring/Pin Connection
Single-core min. conductor cross-section	0,08 mm²
Single-core max. conductor cross-section	4 mm²
Conductor Cross Section Awgkcmil Min	28 AWG
Conductor Cross Section Awgkcmil Max	12 kcmil
Multi-core min. conductor cross-section	0,14 mm²
Multi-core max. conductor cross-section	2,5 mm²
Multi-core min. conductor cross-section with ferrule	0,14 mm²
Multi-core max. conductor cross-section with ferrule	2,5 mm²
Min. Stripping Length	8 mm
Max. Stripping Length	10 mm
Internal cylindrical indicator	A3
2 Conductors Of The Same Cross Section Multi Core Twin Ferrule With Plastic Sleeve	0,5 mm²

DIMENSIONS

Width	5,2 mm
Length	51,60 mm
Height Mr 35X75	37,30 mm
Height MR 35x15	44,80 mm