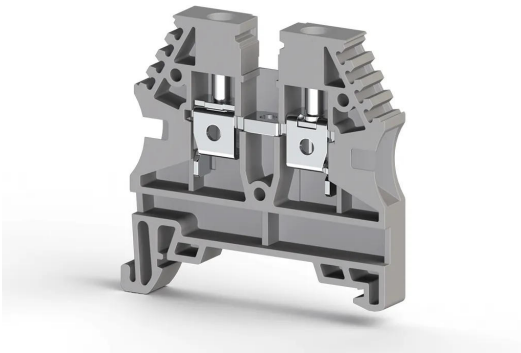


TERMINAL BLOCKS > SCREW TYPE TERMINAL BLOCKS > FEED THROUGH TERMINALS



AVK 4 Grey

Stock Keeping Unit (SKU): 304130

4mm² Screw type, single deck feed through terminal block

Commercial Information

Product Sales Code	304130
Package Unit	80 pcs.
Customs Tariff Number	853690950000
Weight Per Unit Including Packaging	0.00864 kg.

Technical Information

PRODUCT FEATURES	
Number of Connections	2
Color	Grey
Number of Levels	1
Insulation Material	PA
UL 94 Flammability Class	V2
Impulse Voltage Category	III
Insulation Material Group	I
Pollution Degree	3
Connection According to Standard	IEC 60947-7-1
Continuous Operating Temperature max.	120 °C
Continuous Operating Temperature min.	-55 °C

ELECTRICAL FEATURES	
Nominal Impulse Voltage	8 Kv

Nominal Current	32 A
Nominal Voltage	750 V
Maximum Load Current	41 A

CONNECTION DATA

Connection Type	Screw Connection
Single-core min. conductor cross-section	0,2 mm²
Single-core max. conductor cross-section	6 mm²
Conductor Cross Section Awgkcmil Min	24 AWG
Conductor Cross Section Awgkcmil Max	10 AWG
Multi-core min. conductor cross-section	0,2 mm²
Multi-core max. conductor cross-section	6 mm²
Multi-core min. conductor cross-section with ferrule	0,25 mm²
Multi-core max. conductor cross-section with ferrule	4 mm²
2 Conductors Of The Same Cross Section Multi Core Twin Ferrule With Plastic Sleeve Min	0,5 mm²
2 Conductors Of The Same Cross Section Multi Core Twin Ferrule With Plastic Sleeve Max	2,5 mm²
Min. Stripping Length	9 mm
Max. Stripping Length	10 mm
Internal cylindrical indicator	A4
Tightening Torque Min	0,5 Nm
Tightening Torque Max	0,8 Nm

DIMENSIONS

Width	6 mm
Length	44,2 mm
Height Mr 35X75	44,4 mm
Height MR 35x15	51,9 mm