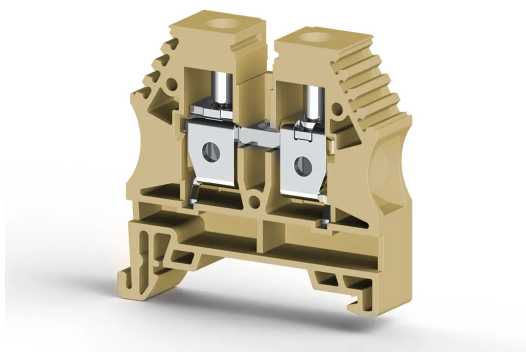


TERMINAL BLOCKS > SCREW TYPE TERMINAL BLOCKS > FEED THROUGH TERMINALS



AVK 10 Beige

Stock Keeping Unit (SKU): 304159

10mm² single deck feed through terminal block

Commercial Information

| | |
|-------------------------------------|---------------------|
| Product Sales Code | 304159 |
| Package Unit | 50 pcs. |
| Customs Tariff Number | 853690950000 |
| Weight Per Unit Including Packaging | 0.0161 kg. |

Technical Information

| PRODUCT FEATURES | |
|---------------------------------------|----------------------|
| Number of Connections | 2 |
| Color | Beige |
| Number of Levels | 1 |
| Insulation Material | PA |
| UL 94 Flammability Class | V2 |
| Impulse Voltage Category | III |
| Insulation Material Group | I |
| Pollution Degree | 3 |
| Connection According to Standard | IEC 60947-7-1 |
| Continuous Operating Temperature max. | 120 °C |
| Continuous Operating Temperature min. | -55 °C |

| ELECTRICAL FEATURES | |
|-------------------------|-------------|
| Nominal Impulse Voltage | 8 Kv |

| | |
|----------------------|--------------|
| Nominal Current | 57 A |
| Nominal Voltage | 630 V |
| Maximum Load Current | 76 A |

CONNECTION DATA

| | |
|--|---------------------------|
| Connection Type | Screw Connection |
| Single-core min. conductor cross-section | 0,5 mm² |
| Single-core max. conductor cross-section | 16 mm² |
| Conductor Cross Section Awgkcmil Min | 20 AWG |
| Conductor Cross Section Awgkcmil Max | 6 AWG |
| Multi-core min. conductor cross-section | 0,5 mm² |
| Multi-core max. conductor cross-section | 16 mm² |
| Multi-core min. conductor cross-section with ferrule | 0,5 mm² |
| Multi-core max. conductor cross-section with ferrule | 10 mm² |
| 2 Conductors Of The Same Cross Section Multi Core Twin Ferrule With Plastic Sleeve Min | 0,5 mm² |
| 2 Conductors Of The Same Cross Section Multi Core Twin Ferrule With Plastic Sleeve Max | 6 mm² |
| Min. Stripping Length | 10 mm |
| Max. Stripping Length | 12 mm |
| Internal cylindrical indicator | B6 |
| Tightening Torque Min | 1,2 Nm |
| Tightening Torque Max | 1,8 Nm |

DIMENSIONS

| | |
|-----------------|----------------|
| Width | 10 mm |
| Length | 44,2 mm |
| Height Mr 35X75 | 44,4 mm |
| Height MR 35x15 | 51,9 mm |