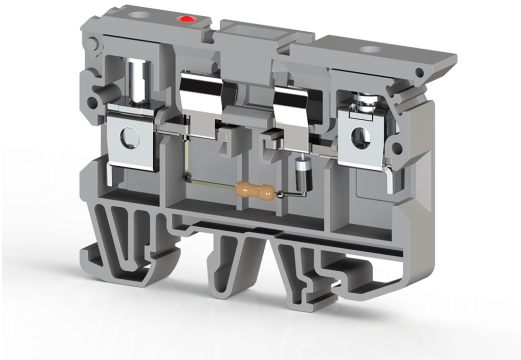


TERMINAL BLOCKS > SCREW TYPE TERMINAL BLOCKS > FUSE TERMINALS



ASK 2LD-24VDC Grey

Stock Keeping Unit (SKU): 351229

Screw Type, 6 mm², fuse terminal block with LED

Commercial Information

Product Sales Code	351229
Package Unit	25 pcs.
Customs Tariff Number	853690950000
Weight Per Unit Including Packaging	0.01908 kg.

Technical Information

PRODUCT FEATURES	
Number of Connections	2
Color	Grey
Number of Levels	1
Insulation Material	PA
UL 94 Flammability Class	V2
Impulse Voltage Category	III
Insulation Material Group	I
Pollution Degree	3
Connection According to Standard	IEC 60947-7-3
Continuous Operating Temperature max.	120 °C
Continuous Operating Temperature min.	-55 °C
Fuse	G / 5x20 - 5x25
Fuse Type	Cam / Glass

ELECTRICAL FEATURES

Nominal Current	6.3 A
Nominal Voltage	24 V

CONNECTION DATA

Connection Type	Screw Connection
Single-core min. conductor cross-section	0.2 mm²
Single-core max. conductor cross-section	10 mm²
Conductor Cross Section Awgkcmil Min	24 AWG
Conductor Cross Section Awgkcmil Max	8 AWG
Multi-core min. conductor cross-section	0.2 mm²
Multi-core max. conductor cross-section	10 mm²
Multi-core min. conductor cross-section with ferrule	0,25 mm²
Multi-core max. conductor cross-section with ferrule	6 mm²
2 Conductors Of The Same Cross Section Multi Core Twin Ferrule With Plastic Sleeve Min	0,5 mm²
2 Conductors Of The Same Cross Section Multi Core Twin Ferrule With Plastic Sleeve Max	4 mm²
Min. Stripping Length	10 mm
Max. Stripping Length	12 mm
Internal cylindrical indicator	B5
Tightening Torque Min	0.8 Nm
Tightening Torque Max	1.2 Nm

DIMENSIONS

Width	8 mm
Length	64.2 mm
Height Mr 35X75	45 mm
Height MR 35x15	52.5 mm
Height Mr 32	49.6 mm