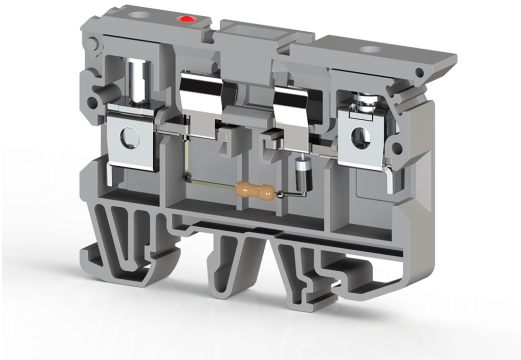


TERMINAL BLOCKS > SCREW TYPE TERMINAL BLOCKS > FUSE TERMINALS



ASK 2LD-220VAC

Stock Keeping Unit (SKU): 351619

Screw Type, 6 mm², fuse terminal block with LED

Commercial Information

Product Sales Code	351619
Package Unit	25 pcs.
Customs Tariff Number	853690950000
Weight Per Unit Including Packaging	0.01908 kg.

Technical Information

PRODUCT FEATURES	
Number of Connections	2
Color	Grey
Number of Levels	1
Insulation Material	PA
UL 94 Flammability Class	V2
Impulse Voltage Category	III
Insulation Material Group	I
Pollution Degree	3
Connection According to Standard	IEC 60947-7-3
Continuous Operating Temperature max.	120 °C
Continuous Operating Temperature min.	-55 °C
Fuse	G / 5x20 - 5x25
Fuse Type	Cam / Glass

ELECTRICAL FEATURES

Nominal Current **6.3 A**

Nominal Voltage **220 V**

CONNECTION DATA

Connection Type **Screw Connection**

Single-core min. conductor cross-section **0.2 mm²**

Single-core max. conductor cross-section **10 mm²**

Conductor Cross Section Awgkcmil Min **24 AWG**

Conductor Cross Section Awgkcmil Max **8 AWG**

Multi-core min. conductor cross-section **0.2 mm²**

Multi-core max. conductor cross-section **10 mm²**

Multi-core min. conductor cross-section with ferrule **0,25 mm²**

Multi-core max. conductor cross-section with ferrule **6 mm²**

2 Conductors Of The Same Cross Section Multi Core Twin Ferrule With Plastic Sleeve Min **0,5 mm²**

2 Conductors Of The Same Cross Section Multi Core Twin Ferrule With Plastic Sleeve Max **4 mm²**

Min. Stripping Length **10 mm**

Max. Stripping Length **12 mm**

Internal cylindrical indicator **B5**

Tightening Torque Min **0.8 Nm**

Tightening Torque Max **1.2 Nm**

DIMENSIONS

Width **8 mm**

Length **64.2 mm**

Height Mr 35X75 **45 mm**

Height MR 35x15 **52.5 mm**

Height Mr 32 **49.6 mm**