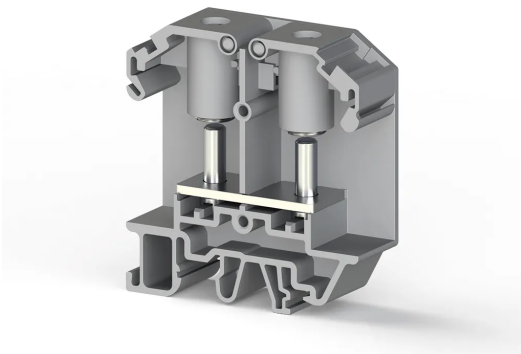


TERMINAL BLOCKS > BOLT TYPE TERMINAL BLOCKS > FEED THROUGH TERMINALS



## APP/PB 25/NM Grey

Stock Keeping Unit (SKU): 308049

Seperation Plate

### Commercial Information

Product Sales Code	<b>308049</b>
Package Unit	<b>10 pcs.</b>
Customs Tariff Number	<b>853690950000</b>
Weight Per Unit Including Packaging	<b>0.056 kg.</b>

### Technical Information

PRODUCT FEATURES	
Number of Connections	<b>2</b>
Color	<b>Grey</b>
Number of Levels	<b>1</b>
Insulation Material	<b>PA</b>
UL 94 Flammability Class	<b>V0</b>
Impulse Voltage Category	<b>III</b>
Pollution Degree	<b>3</b>
Connection According to Standard	<b>IEC 60947-7-1</b>
Continuous Operating Temperature max.	<b>130 °C</b>
Continuous Operating Temperature min.	<b>-60 °C</b>
ELECTRICAL FEATURES	
Nominal Impulse Voltage	<b>8 Kv</b>
Nominal Current	<b>101 A</b>

Nominal Voltage	<b>800 V</b>
-----------------	--------------

## CONNECTION DATA

Connection Type	<b>Bolt Connection</b>
Single-core min. conductor cross-section	<b>1,5 mm<sup>2</sup></b>
Single-core max. conductor cross-section	<b>25 mm<sup>2</sup></b>
Conductor Cross Section Awgkcmil Min	<b>16 AWG</b>
Conductor Cross Section Awgkcmil Max	<b>4 AWG</b>
Multi-core min. conductor cross-section	<b>1,5 mm<sup>2</sup></b>
Multi-core max. conductor cross-section	<b>25 mm<sup>2</sup></b>
Tightening Torque Min	<b>3 Nm</b>
Tightening Torque Max	<b>3,5 Nm</b>
Hole Diameter Min	<b>5,2 mm</b>

## DIMENSIONS

Width	<b>18,00 mm</b>
Length	<b>60,00 mm</b>
Height Mr 35X75	<b>64,30 mm</b>
Height MR 35x15	<b>71,80 mm</b>
Height Mr 32	<b>68,90 mm</b>