

KIES-105A

1. Overview

KIES-105A Unmanaged Industrial Ethernet Switch is specially designed to expand reliable Ethernet connectivity to factory floors and outdoor environments with extreme temperature and climatic conditions.

KIES-105A is equipped with 5 x 10/100 RJ45 Ports enclosed in IP30 housing.

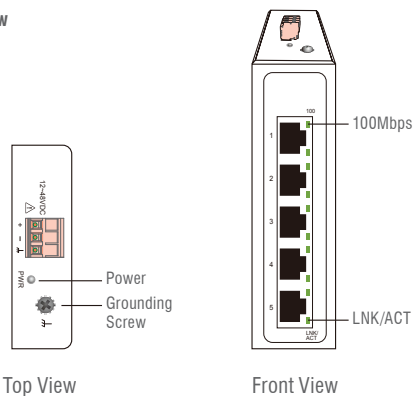
2. Package Checklist

KIES-105A is shipped with the following items*. If any of these are missing or damaged, please contact your customer service representative for assistance.

- KIES-105A Switch x 1
- DIN rail kit x 1
- Quick Installation Guide x 1

*Contents of the package can be adjusted based on customer demand.

Panel view



3. Mounting and Dismounting to DIN-Rail



ATTENTION:

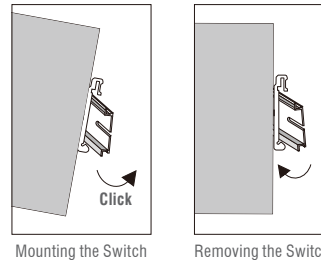
The KIES-105A is an open type device and KIES-105A shall be DIN-Rail mounted or wall mounted (optional) in cabinet or enclosure and the ambient temperature should not exceed 75°C.

Mounting the switch

Place the KIES-105A on the DIN rail from above using the slot, push the front of the switch toward the mounting surface until it snaps into place with a click sound.

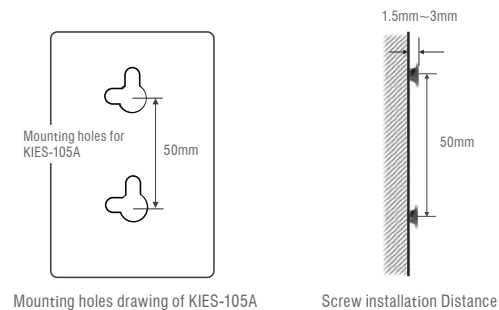
Dismounting the switch

Press the switch from top and pull out the lower edge of the switch and then remove the switch from the DIN rail.



Wall-Mounted Mask of KIES-105A

Step 1: Please this device by using mounting holes on the wall at the appropriate place.



Step 2: The wall-mount direction can be straight or horizontal.



ATTENTION:

A corrosion-free mounting rail is advisable. When installing, make sure to allow for enough space between devices to properly install the cabling. And provide ample space for air flow.

4. Grounding The Switch KIES-105A

Grounding and wire routing help limit the effects of noise due to electromagnetic interference (EMI).

Step 1: Run the ground connection from the ground screw to the grounding surface prior to connecting devices.

Step 2: Connect the ground connection from the terminal block to the grounding surface prior to connecting device.



ATTENTION:

This product is intended to be mounted to a well-grounded mounting surface such as a metal panel.

5. Wiring Requirements



WARNING:

Safety measures should be taken before connecting the power cable. Turn off the power before connecting modules or wires. The correct power supply voltage is listed on the product label. Check the voltage of your power source to make sure that you are using the correct voltage. DO NOT use a voltage greater than what is specified on the product label. Calculate the maximum possible current in each power wire and common wire. Observe all electrical codes dictating the maximum current allowable for each wire size. If current exceeds the maximum rating, the wiring can overheat causing serious damage to your equipment.

Please read and follow these guidelines:

- Use separate paths to route wiring for power and devices. If power wiring and device wiring paths must cross make sure the wires are perpendicular at the intersection point.

NOTE: Do not run signal or communications wiring and power wiring through the same wire conduit. To avoid interference, wires with different signal characteristics should be routed separately.

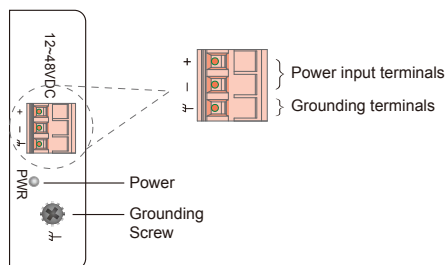
- You can use the type of signal transmitted through a wire to determine which wires should be kept separate. The rule of thumb is that wiring that shares similar electrical characteristics can be bundled together
- You should separate input wiring from output wiring
- We advise that you label the wiring to all devices in the system.

5.1 Wiring Power Input

5.1.1 KIES-105A with 3pin terminal block

Check the polarity while connecting.

Top view of Terminal Block is shown in the gure below:



CAUTION:

- Use copper conductors only
- Wiring cable temperature should support at least **105°C**
- Tighten the wire to a torque value **4.5lb** with green connector.
- The wire gauge for the terminal block should range between **12~24 AWG** with green connector, **12~22AWG** with gray connector.



MISE EN GARDE:

- Utilisez uniquement des conducteurs en cuivre
- La température du câble de câblage doit supporter au moins **105°C**
- Serrer le fil à une valeur de couple de **4.5lb** avec le connecteur vert.
- Le calibre de fil du bornier doit être compris entre **12 et 24 AWG** avec un connecteur vert, **12~22 AWG** avec un connecteur gris.

To insert power wire and connect the 12~48VDC at a maximum of 0.15A DC power to the power terminal block, follow the steps below:

- Use flat-head screw driver to loosen the wire-clamp screws
- Insert the negative/positive DC wires into the (- / +) terminals, respectively
- Tighten the wire-clamp screws to prevent the wires from loosening



ATTENTION:

Please use a power supply from 12~48VDC, the device power shall be supplied by SELV circuit.

5.1.2 Cabling RJ45

Connect one end of an Ethernet/RJ45 cable into Ethernet port of KIES-105A and other end to attached networking device.

- Ports 1-5 of the switch support Fast Ethernet (10/100Base-T RJ45 Ports)
- All the RJ45 ports on the KIES-105A support auto negotiation and auto MDI/MDI-X to eliminate the need for crossover cabling.

Note: Category 5e cable or above should be used.

6. LED Indicators

PWR (Green)	Illuminated Off	Power On by terminal block PWR Terminal block PWR fails or is not available
100 (Green)	Illuminated	Link speed at 100Mbps
	Blinking	Data is transmitting / receiving
	Off	Link speed at 10Mbps or link failed
LNK/ACT (Green)	Illuminated	Copper port link-up
	Blinking	Data is transmitting / receiving
	Off	Link failed

7. Environmental Limits

Operating Temperature	-40°C~75°C
Storage Temperature	-40°C~85°C
Altitude	Up to 2000m
Ambient Relative Humidity	5 to 95% (non-condensing)



ATTENTION:

This device complies with Part 15 of the FCC rules.

Operation is subject to the following conditions:

1. This device may not cause harmful interference.
2. This device must accept any interference received including interference that may cause undesired operation.



ATTENTION:

If the equipment is used in a manner not specified by the VOLKTEK, the protection provided by the equipment may be impaired.

9. Limited Warranty

KLEMSAN Corporation warrants this product against defect in materials and workmanship for a period of FIVE (5) YEARS to the original purchaser.

If you discover a defect, KLEMSAN will, at its sole option, repair or replace the product at no additional charge, provided that you contact KLEMSAN technical support to obtain a Return Merchandise Authorization Number (RMA) and instruction on how and where repairs can be made. This warranty does not apply if the product has been damaged by accident, abuse, misuse, misapplication, neglect, re, water, lightning or other acts of nature, failure to follow supplied instructions, installation or removal, have been repaired or have undergone attempted repair by unauthorized personnel without written consent from KLEMSAN, modified, defaced, or has its serial numbers removed. KLEMSAN reserves the right to use remanufactured, refurbished, or used parts and components in making warranty repairs.

All expressed or implied warranties for this product, including the implied warranties of merchantability and fitness for a particular purpose are limited in duration to the warranty period. No warranties expressed or implied will be applied after this period. KLEMSAN shall not be liable for lost profits, damage to other property caused by any defects of this product, or damages based upon inconvenience, loss of product use, loss of time, commercial use, incidental and/or consequential damages for the breach of any expressed or implied warranty, including damages to property, and to the extent permitted by law, damages for personal injury, even if KLEMSAN has been advised of the responsibilities of such damages.

If you have any further questions, please contact Customer Support:

Address of the manufacturer.

Kızılızüm Cad. No:15 Kemalpaşa - İZMİR
+90 (232) 877 08 00
info@klemsan.com.tr